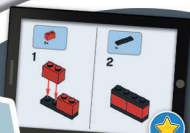




# SPEED CHAMPIONS

GT  
R  
nismo

76896



[LEGO.com/speedchampions](https://www.lego.com/speedchampions)





- 1 Scan the code on the front cover  
Scanne den Code auf der Titelseite  
Scanne le code sur la page couverture  
Scanner le code sur la page couverture  
Scansiona il codice sulla copertina  
Escanea el código de la portada  
Faz scan do código na frente da capa  
Olvasd be a borítón látható kódot!  
Noskenë kodu uz priekšējā vāka  
扫描封面上的二维码

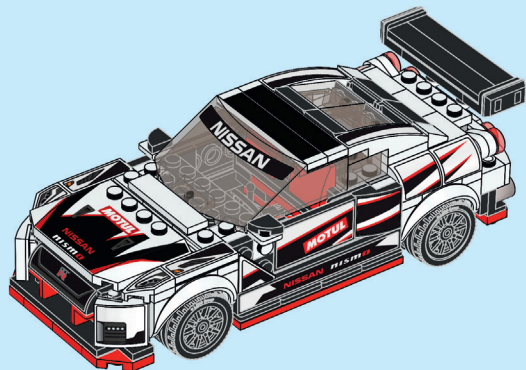
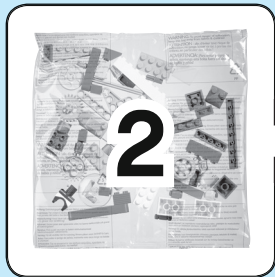
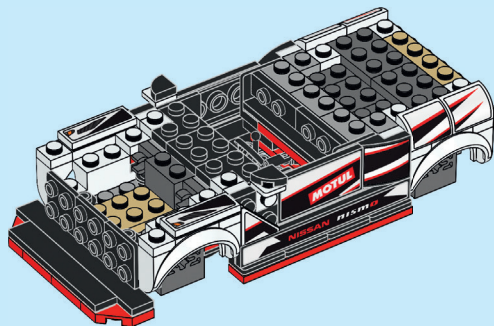
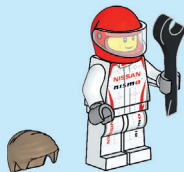
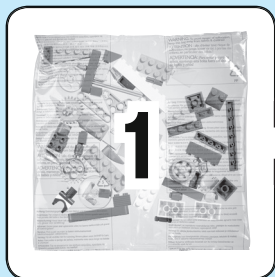


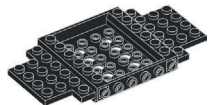
- 2 Get Instructions PLUS  
Hol dir Instructions PLUS  
Obtiens les instructions PLUS  
Obtenir les Instructions PLUS  
Scarica Instructions PLUS  
Descubre Instrucciones PLUS  
Obtém Instruções PLUS  
Szerezd be az Instructions PLUS  
kiegészítőt!  
Saņem "Instructions PLUS"  
获取更多说明

**LEGO.com/apps**

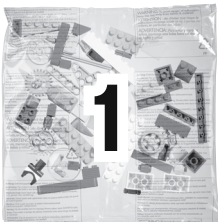
Check for compatibility  
Kompatibilität prüfen  
Vérifier la compatibilité  
Controlla la compatibilità  
Comprueba tu compatibilidad

Verificar a compatibilidade  
Ellenőrizd a kompatibilitást  
Pārbaudīt saderību  
检查兼容性

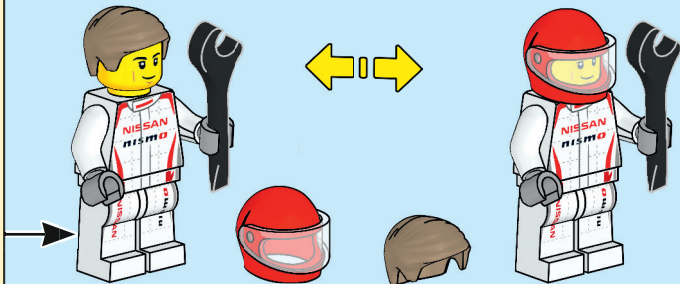
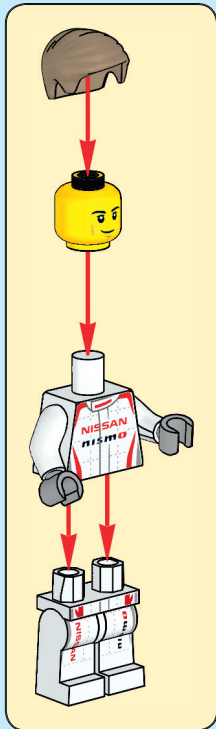
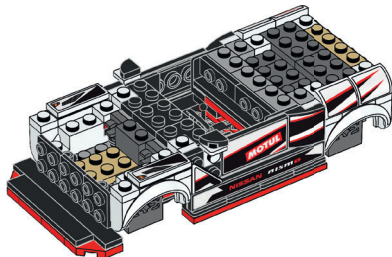


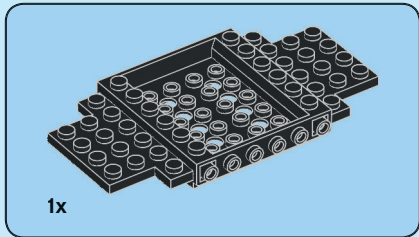


1x

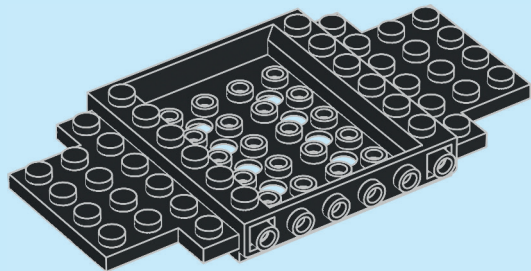


1

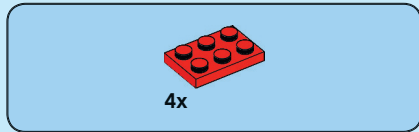




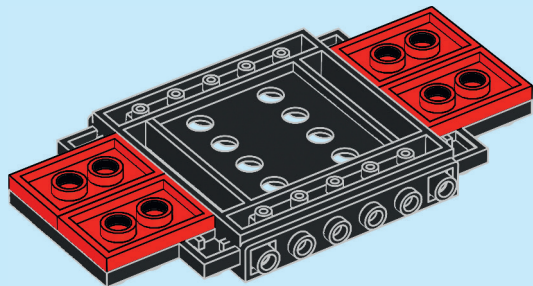
1

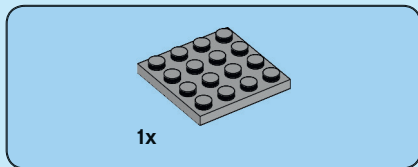


6

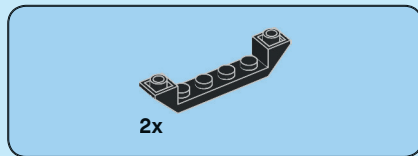
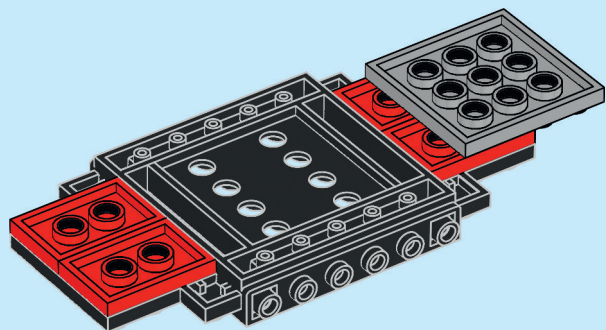


2

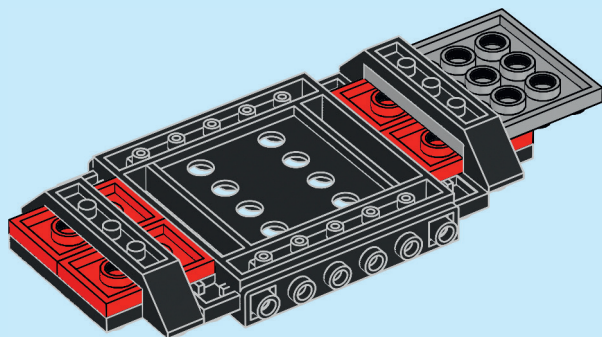


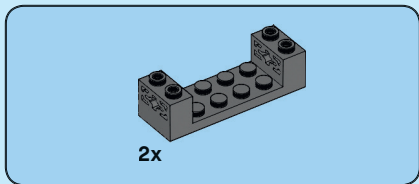


3

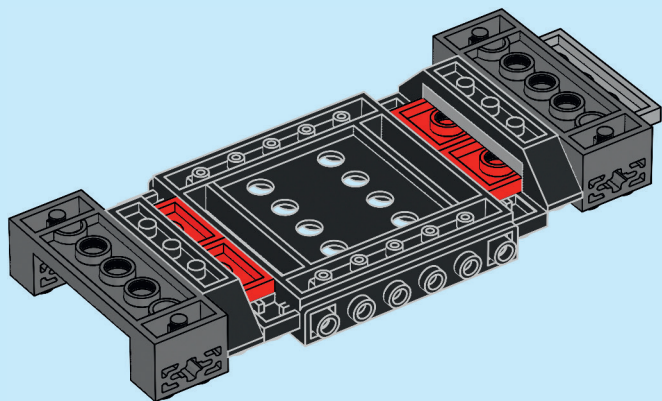


4

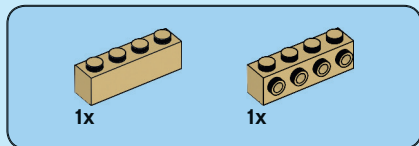




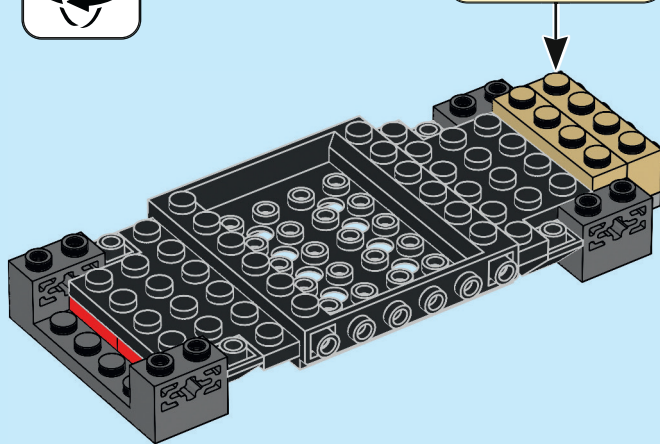
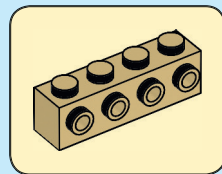
5



8



6





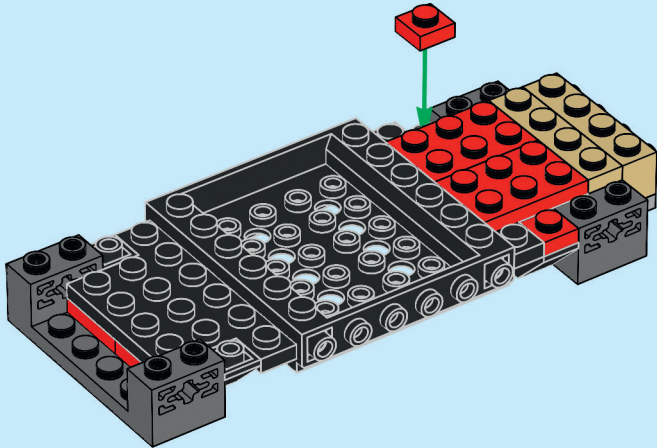


2x



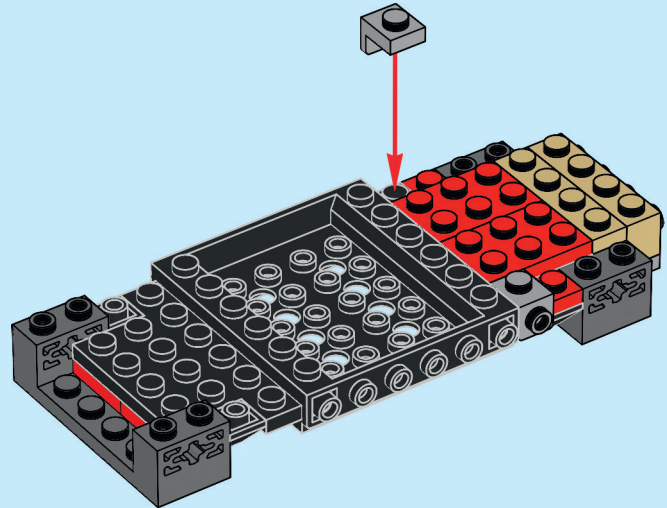
2x

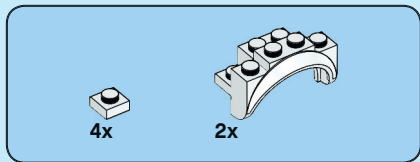
7



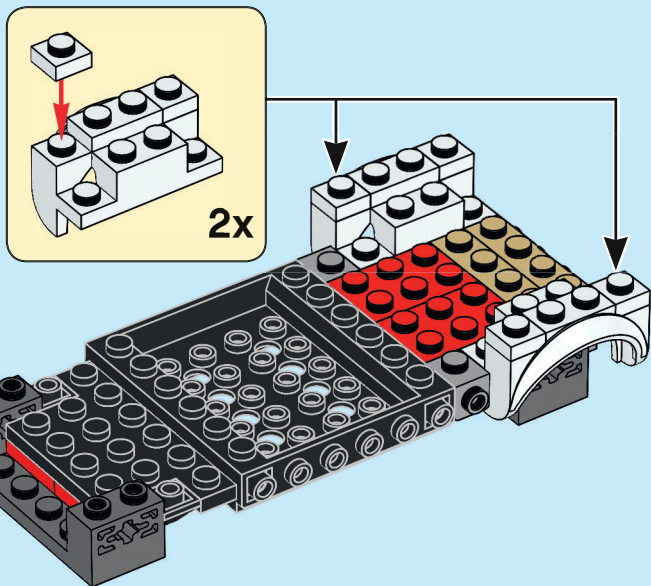
2x

8

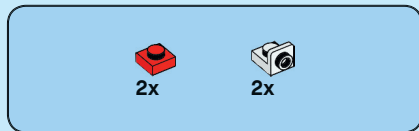




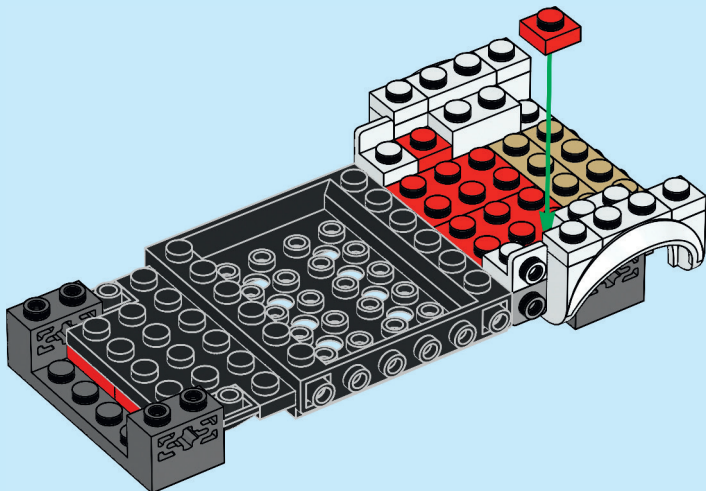
9

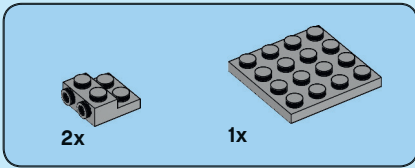


10

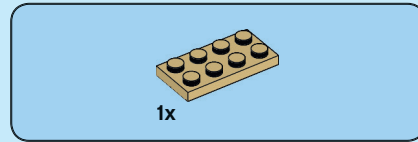
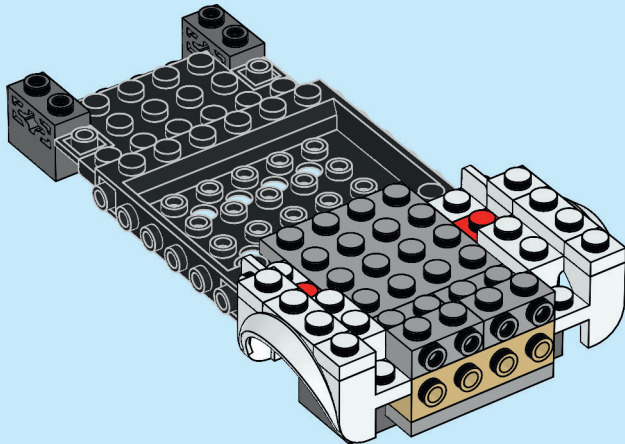


10

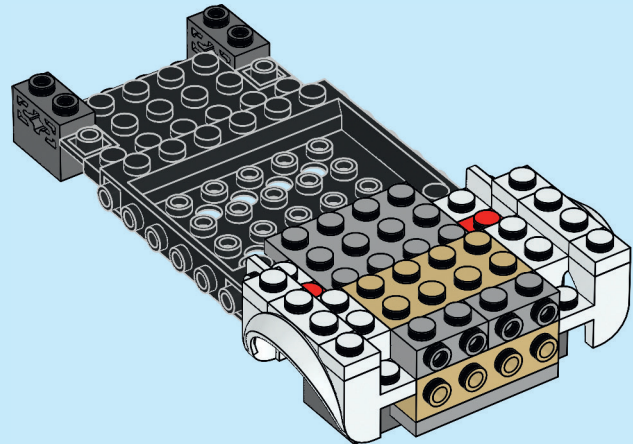


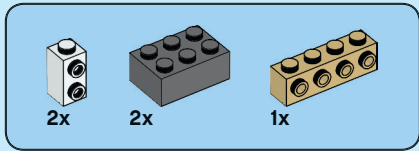


11

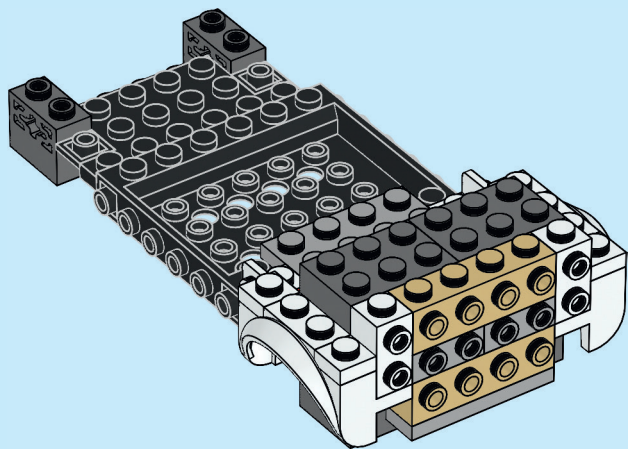


12

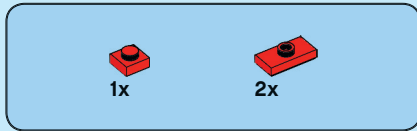




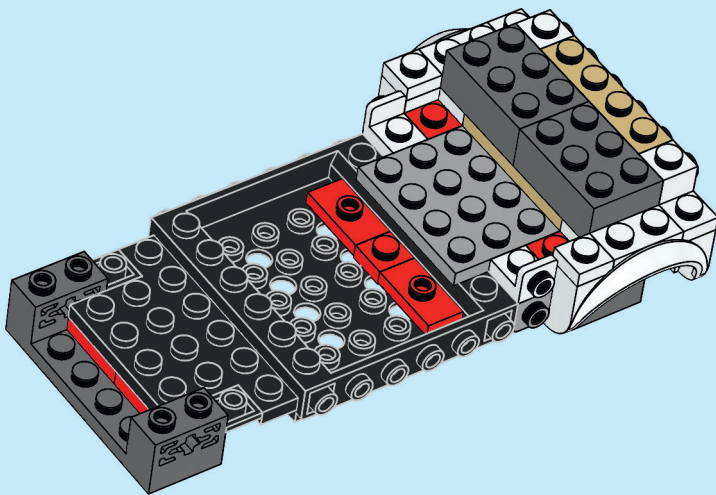
13



12



14



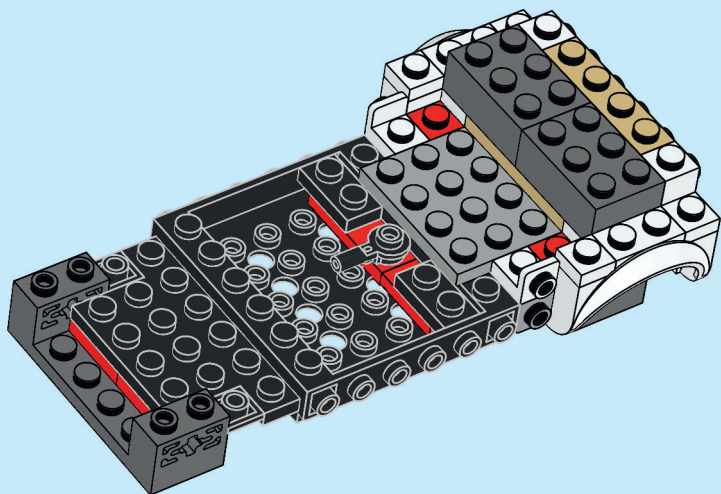


2x



1x

# 15

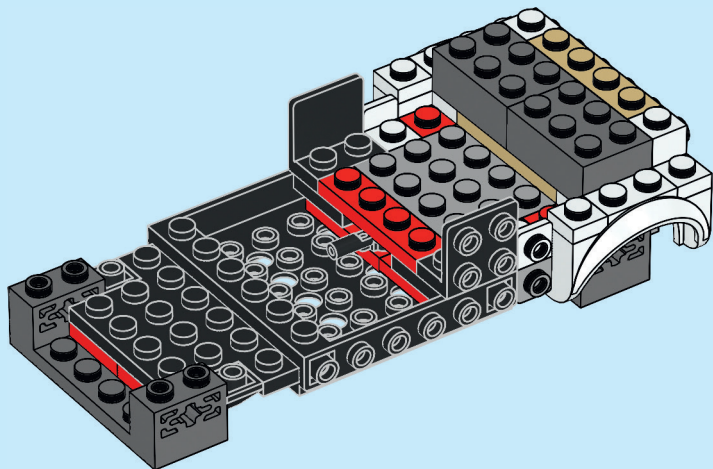


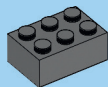
1x



2x

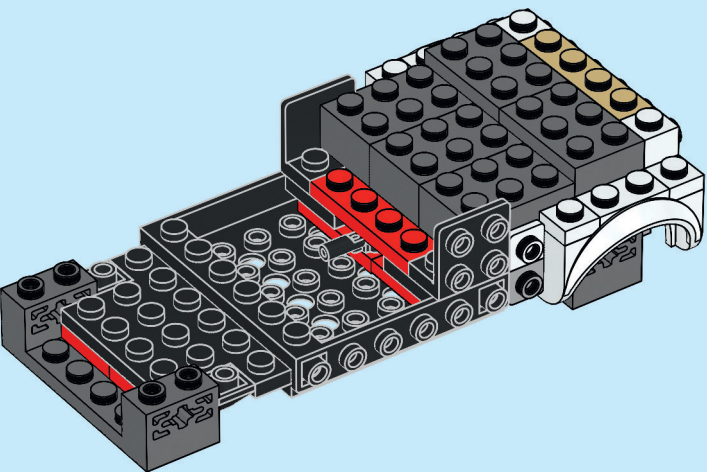
# 16





3x

17

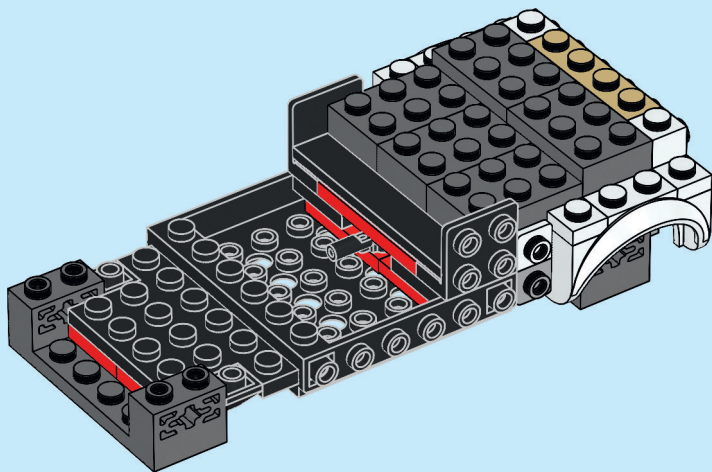


14



1x

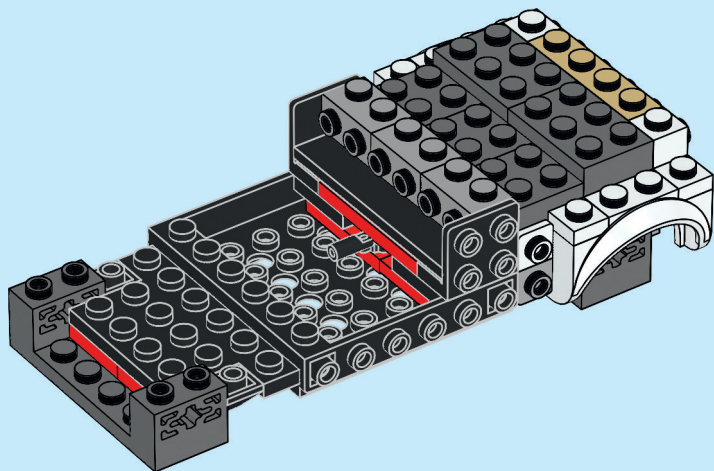
18





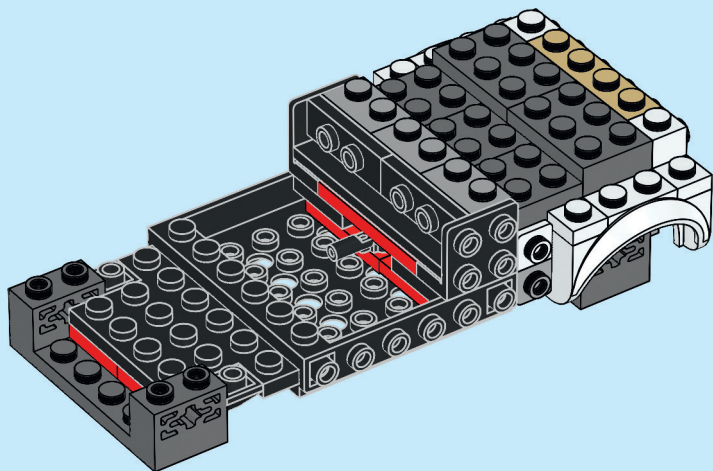
3x

19



2x

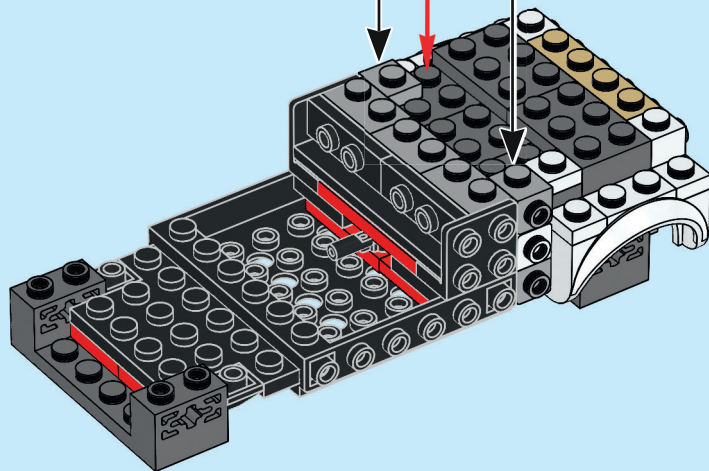
20



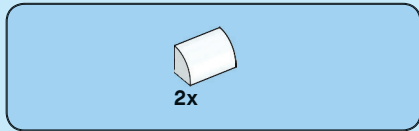


2x

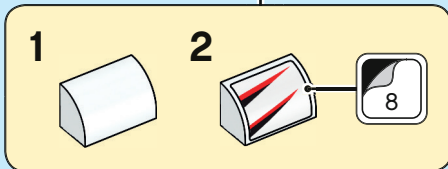
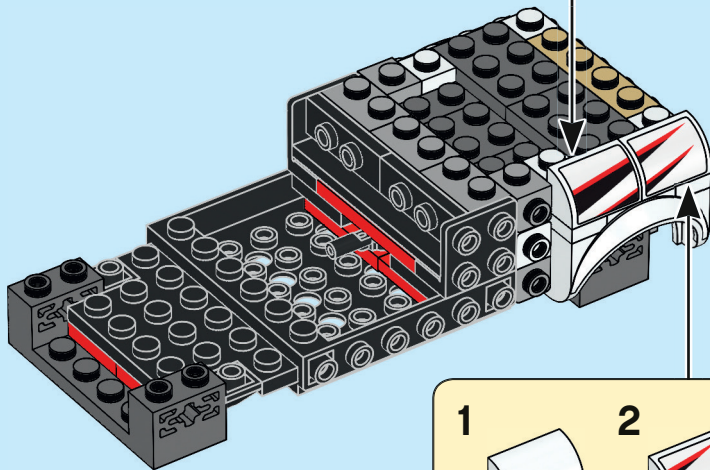
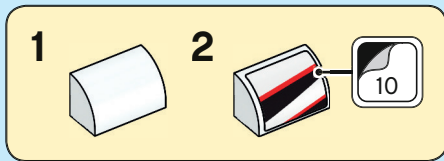
21

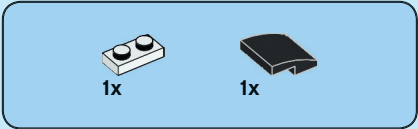




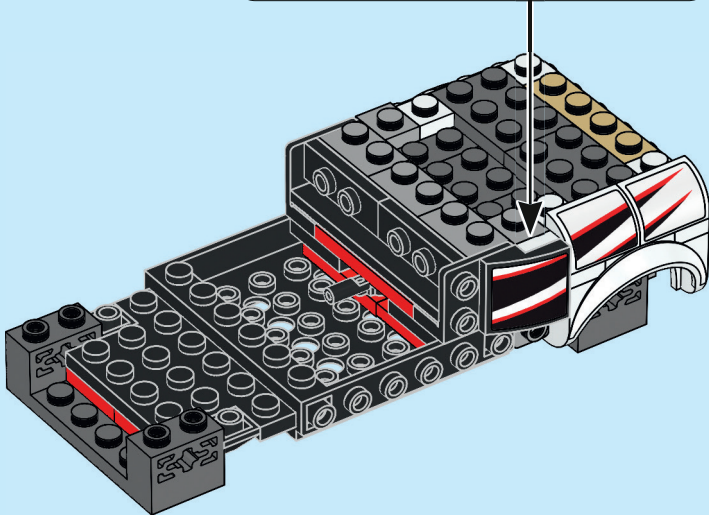
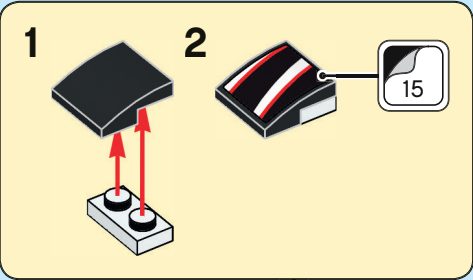


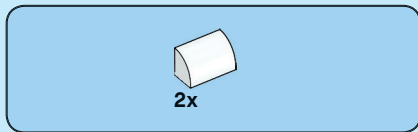
22



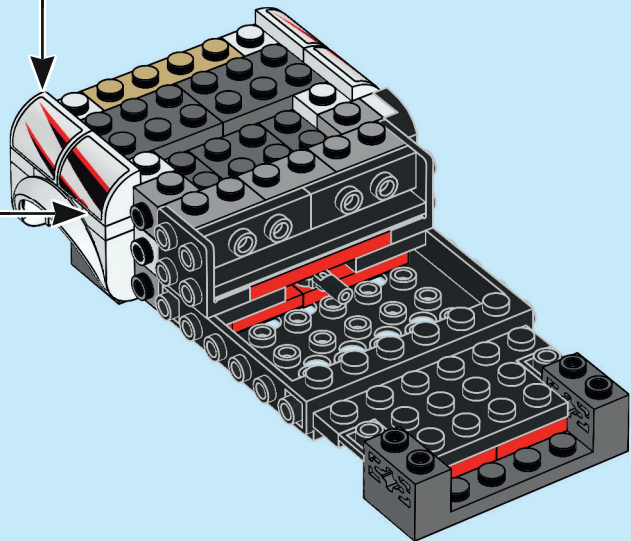
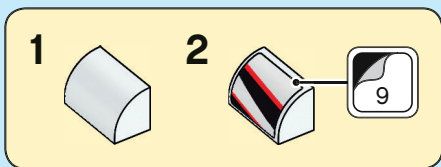
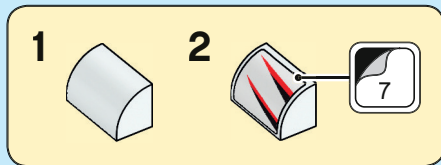


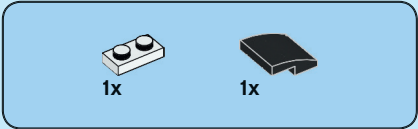
23



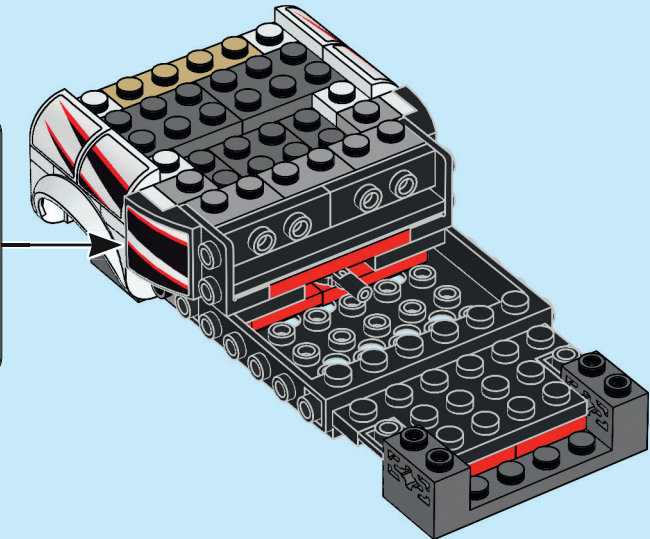
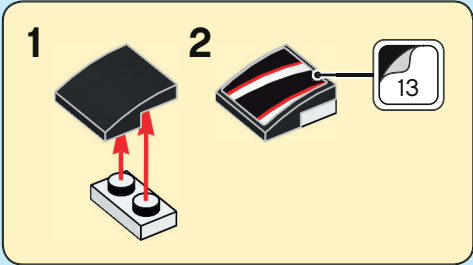


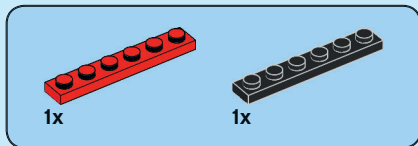
24



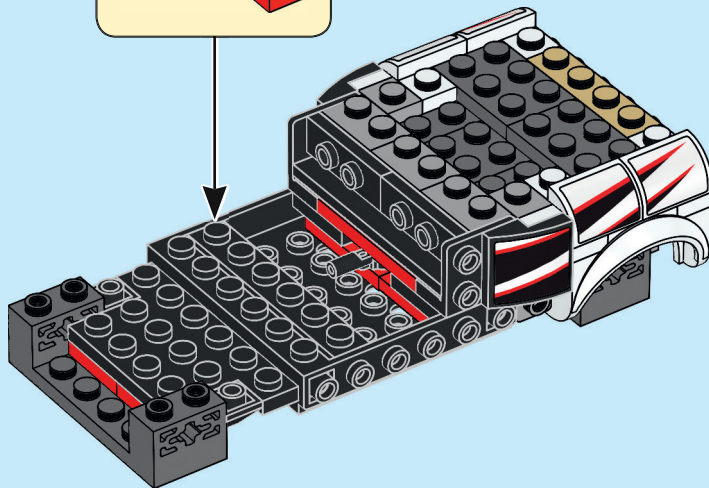
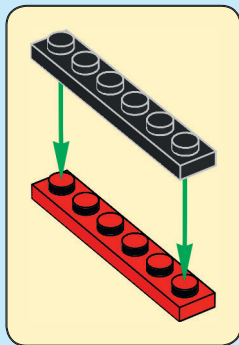


25





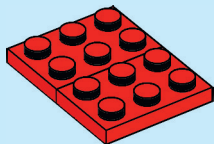
26





2x

27

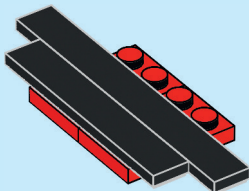


1x



1x

28

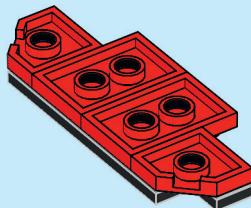


22



2x

29

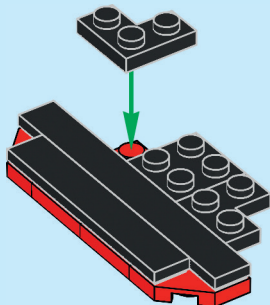


1x

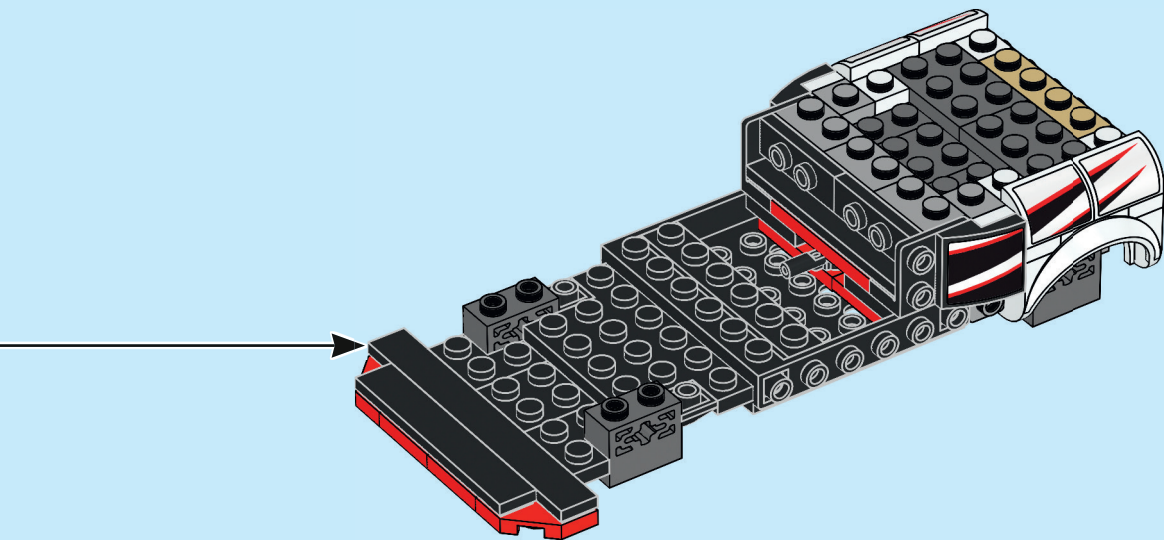


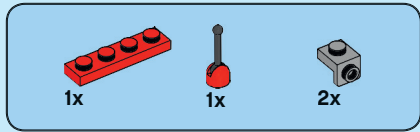
2x

30

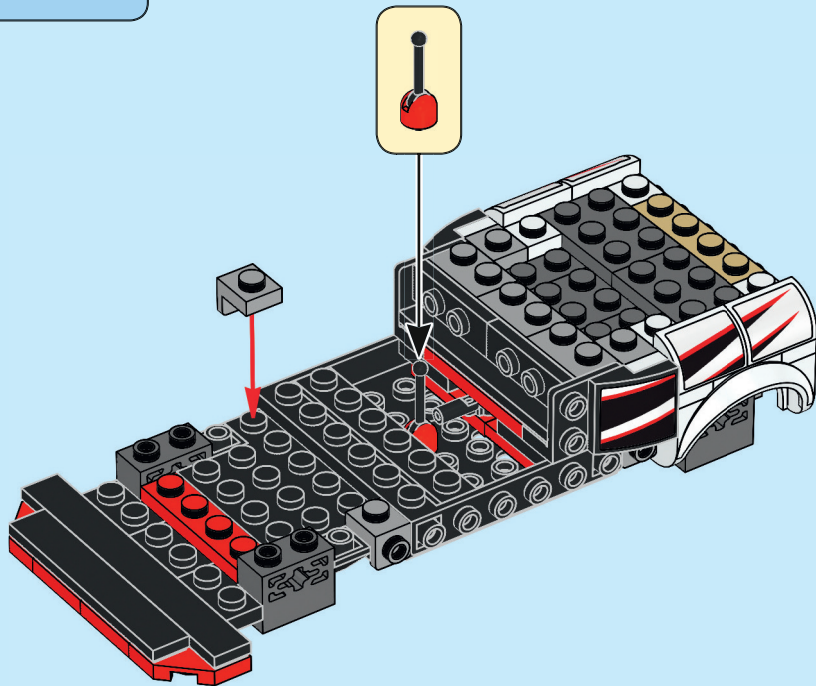


31

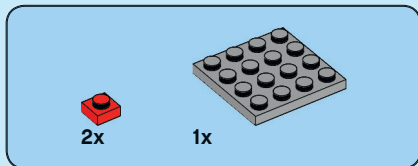




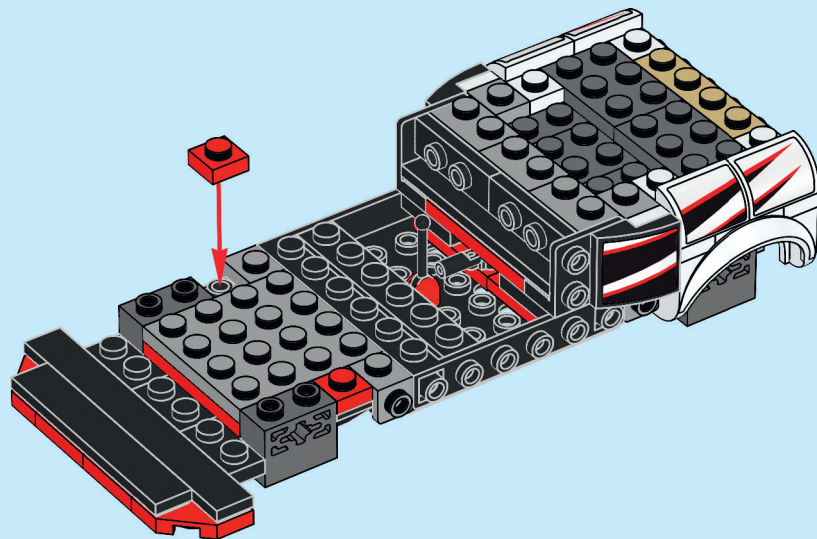
32

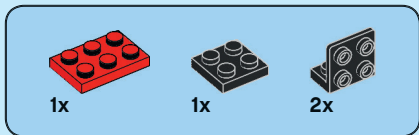




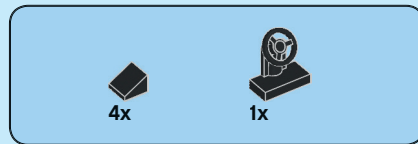
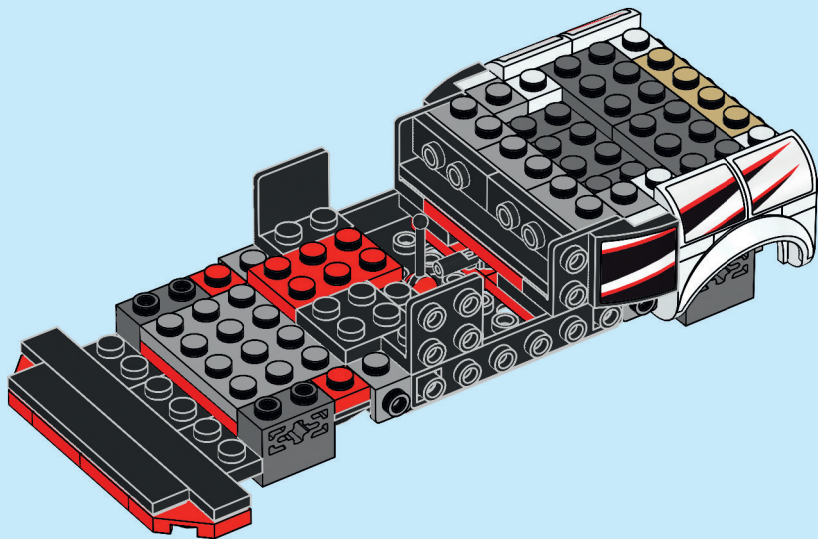


33

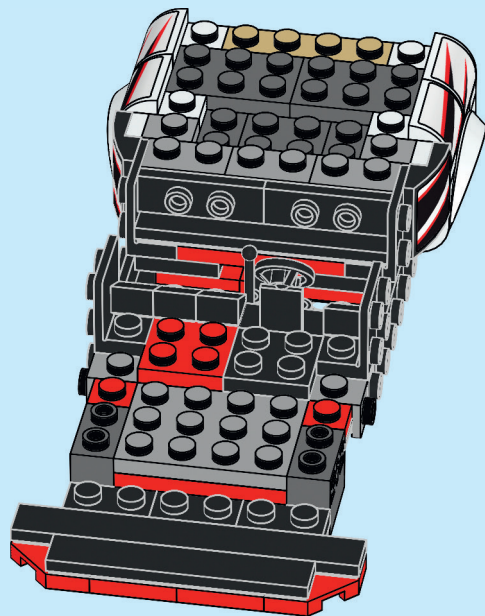


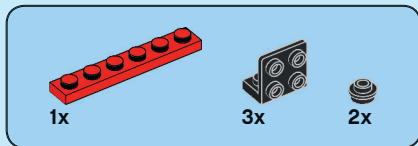


34

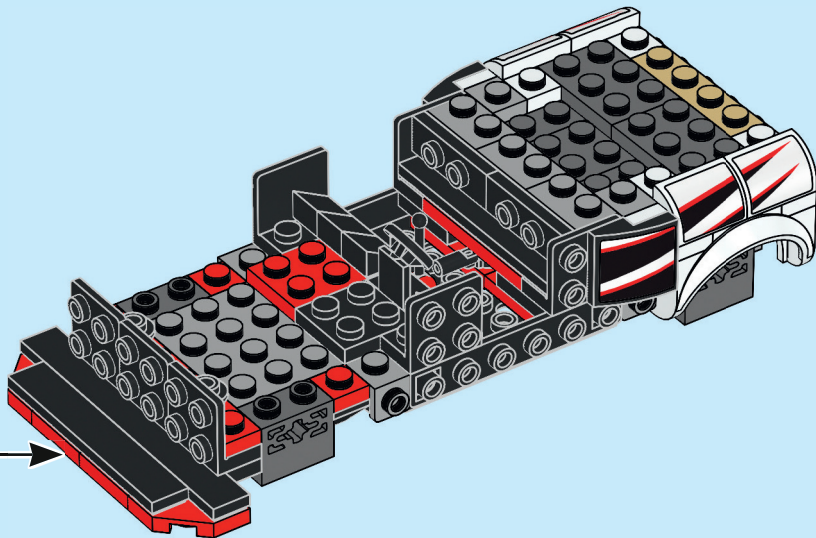
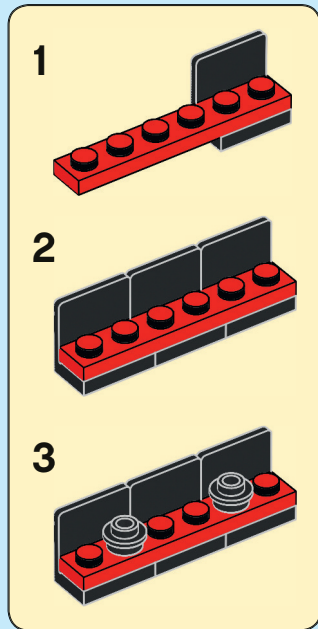


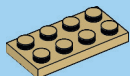
35





36



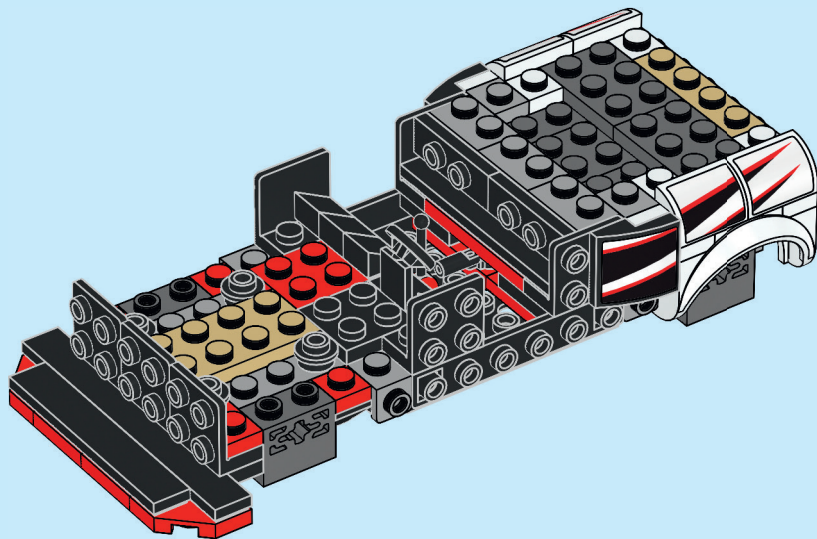


1x



2x

37



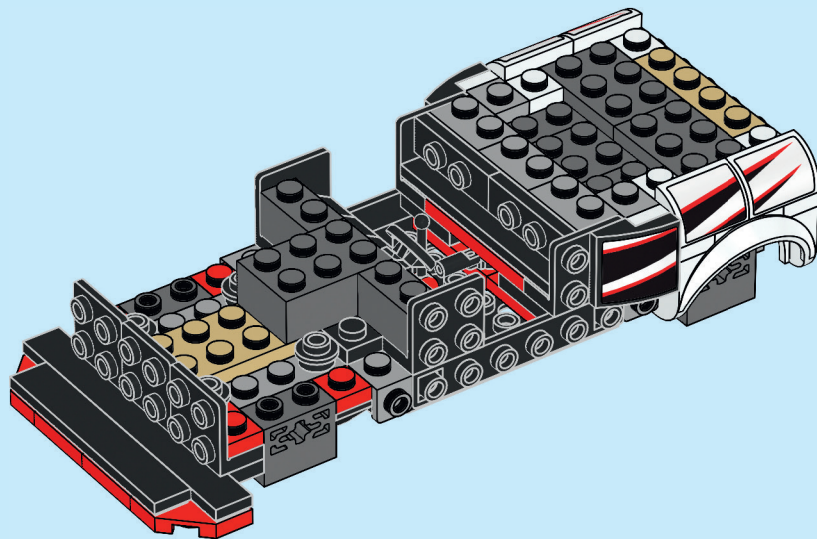


2x



1x

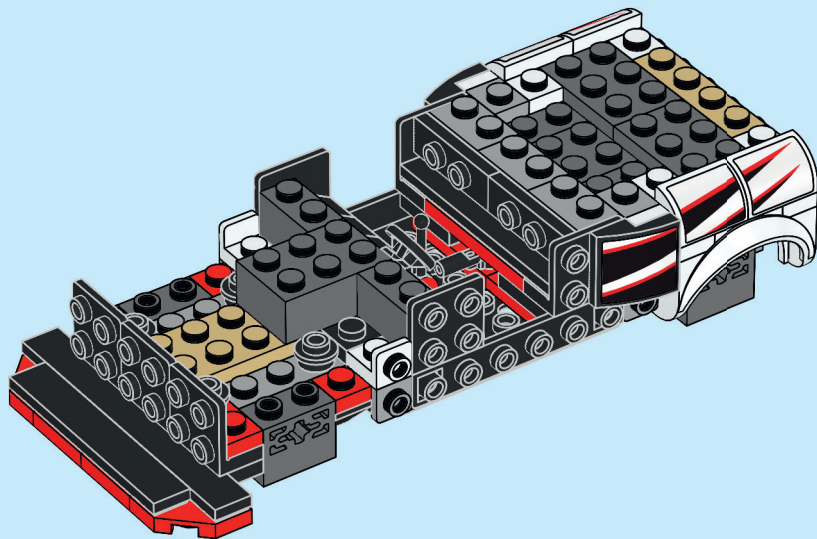
# 38





2x

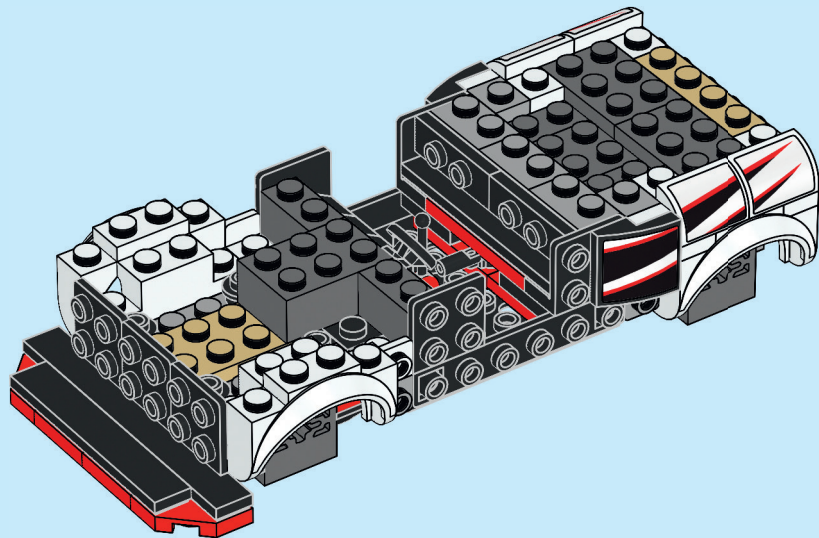
39





2x

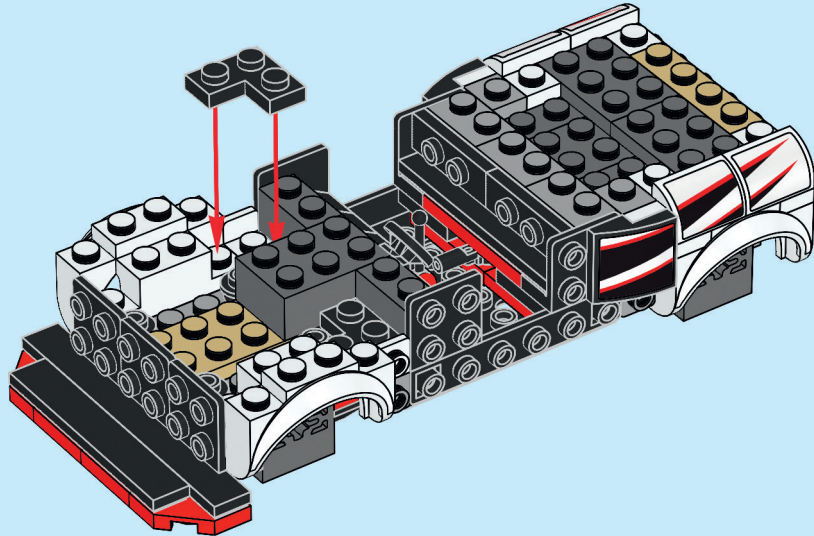
40



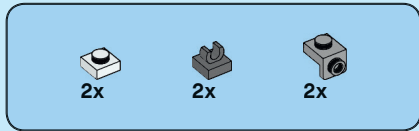


2x

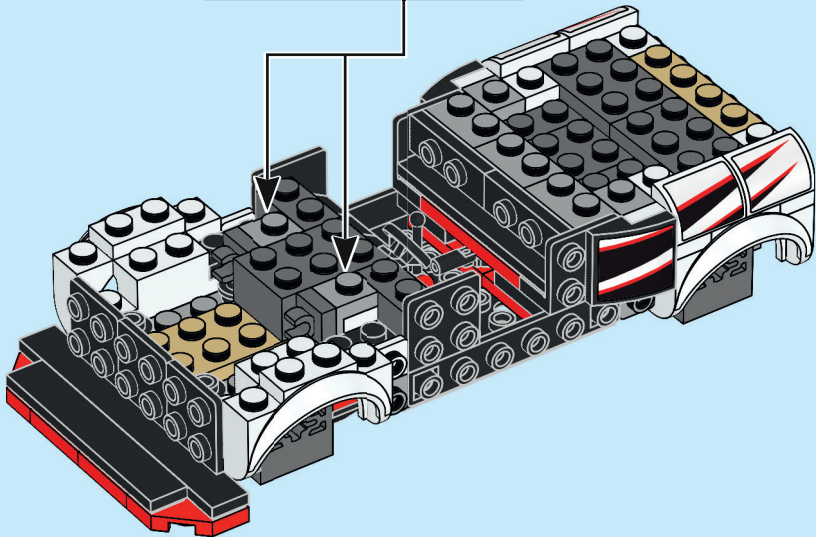
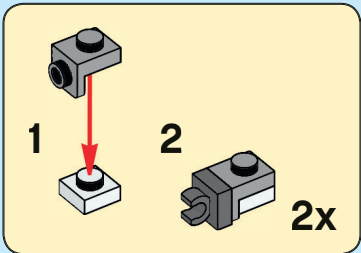
41







42





2x

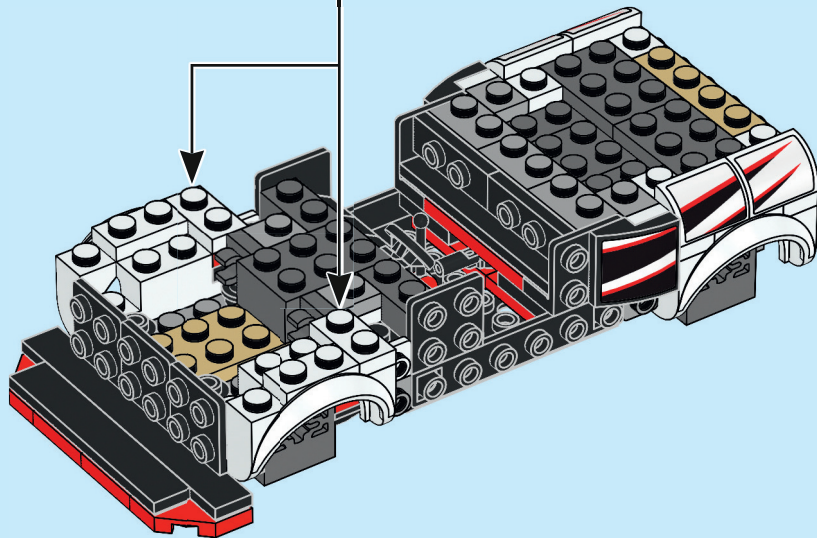


2x

43



2x

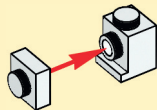




2x

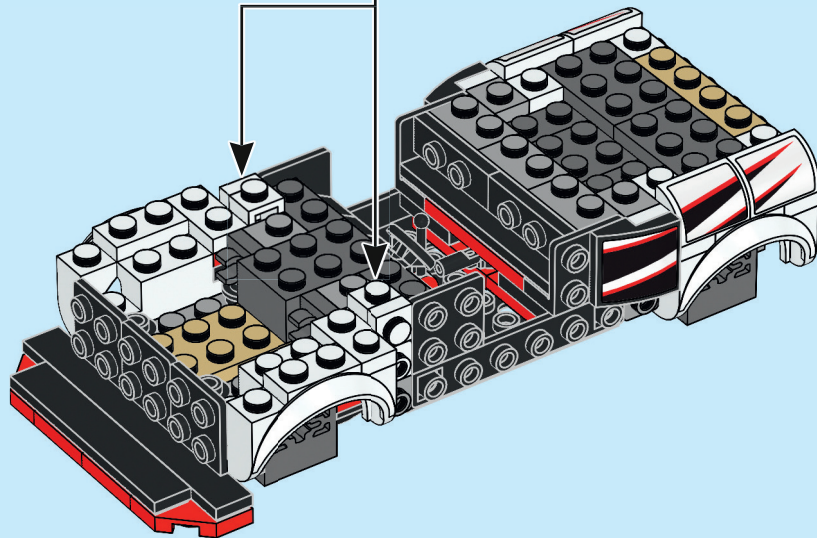


2x



2x

44



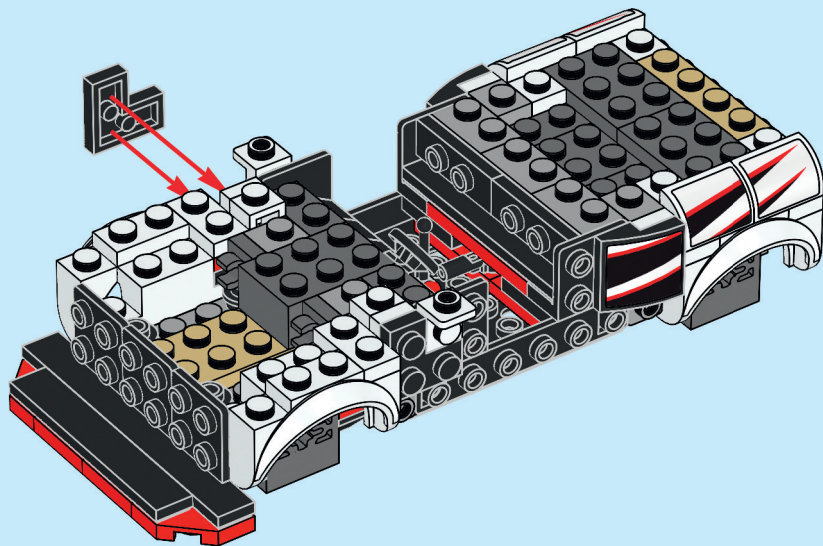


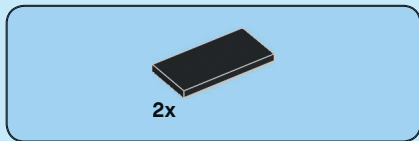
2x



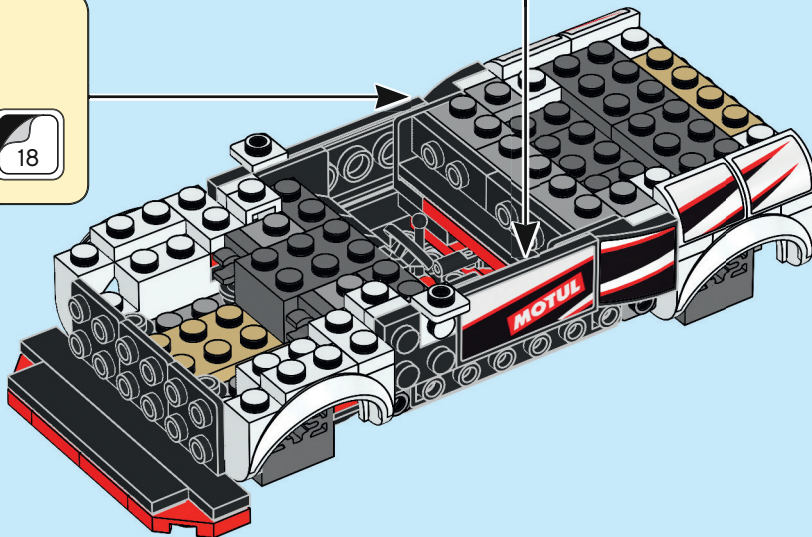
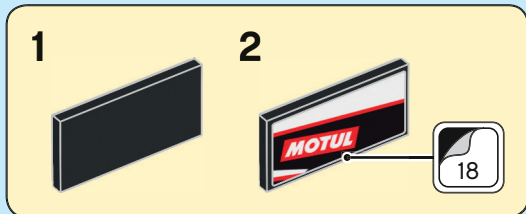
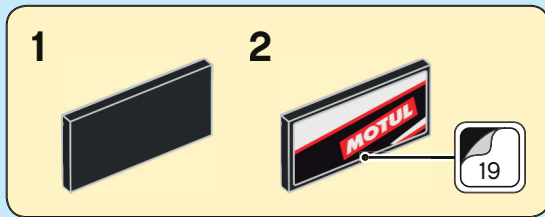
2x

# 45





46



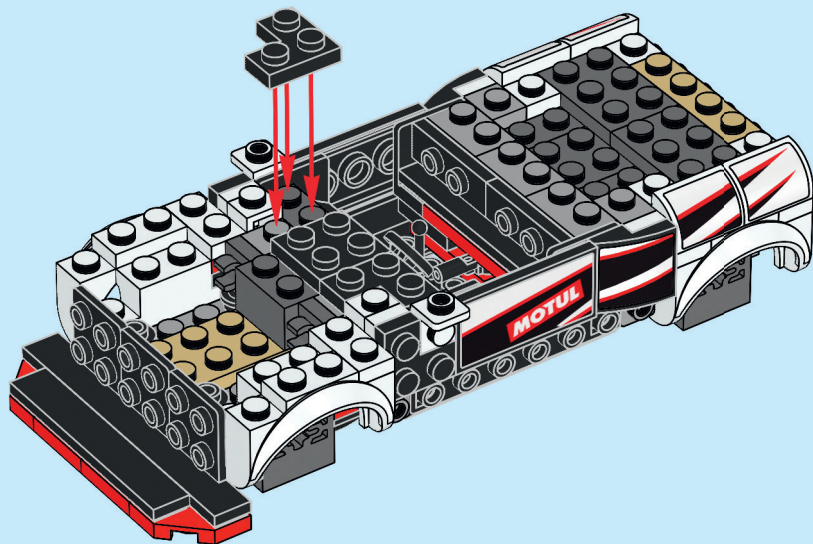


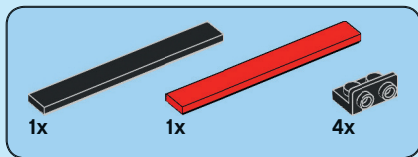
2x



1x

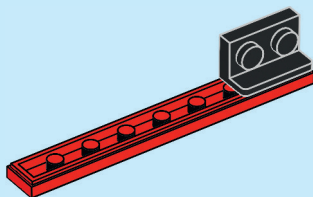
47



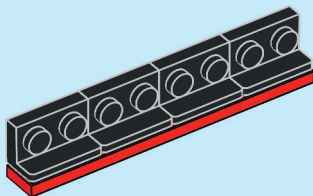


48

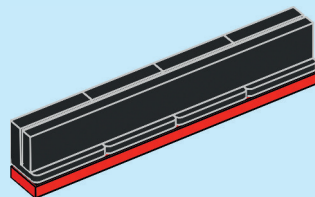
1



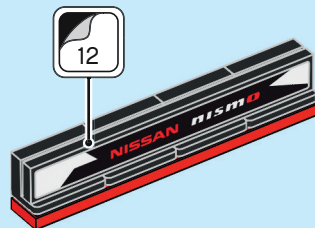
2

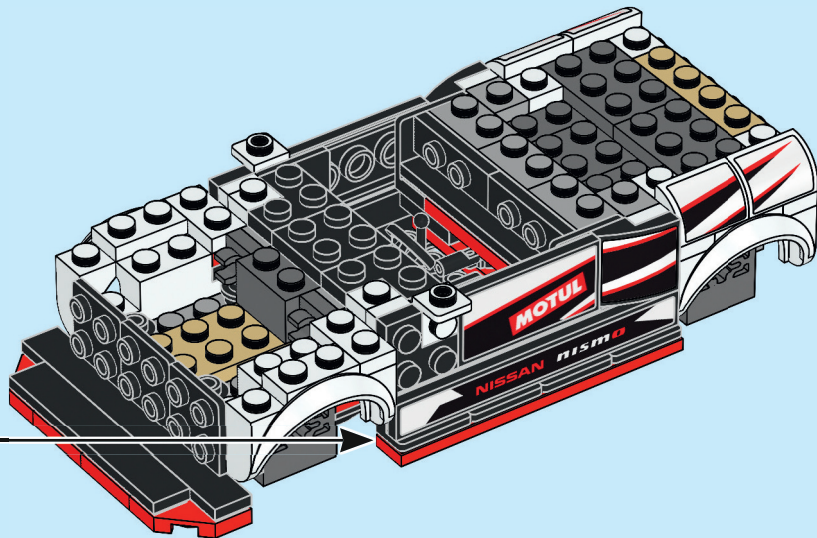


3



4









1x

49

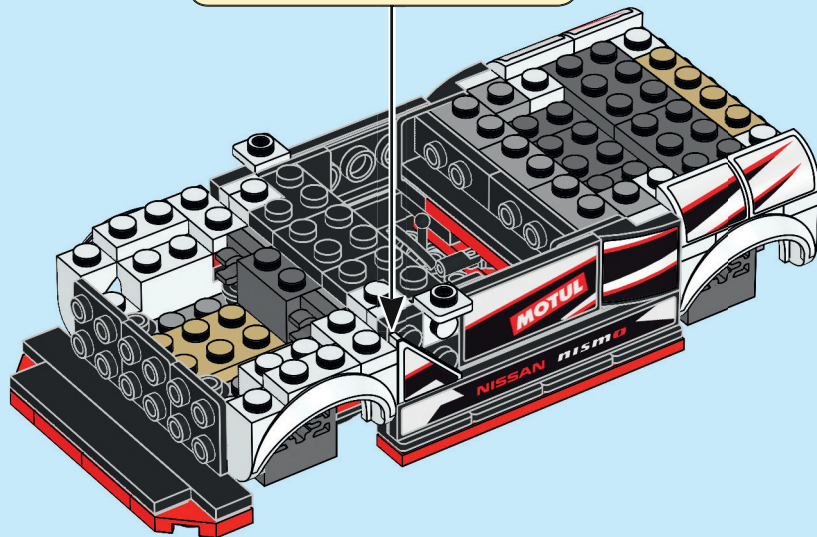
1

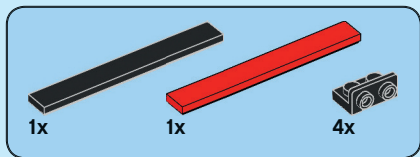


2



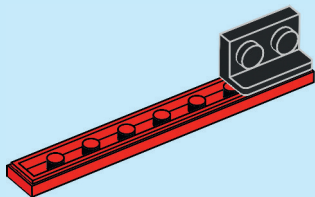
23



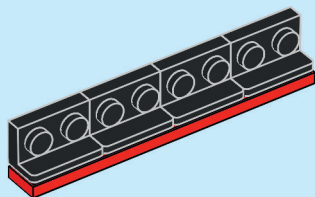


50

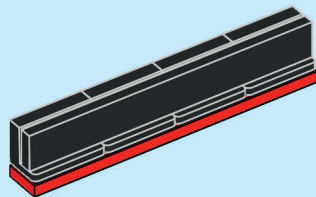
1



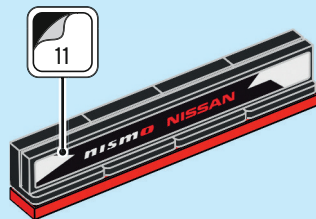
2

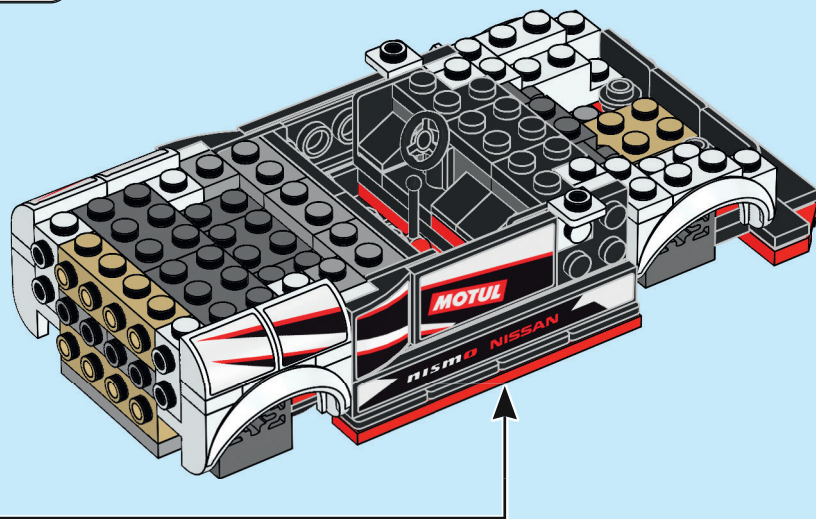


3



4







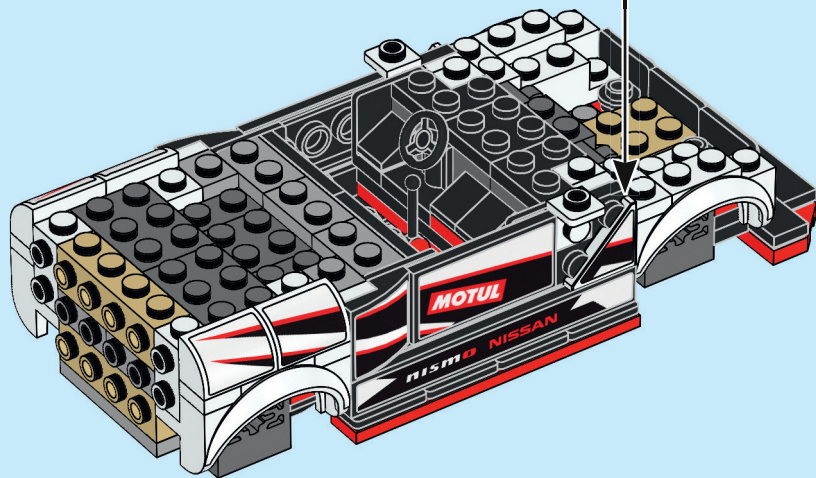
1x

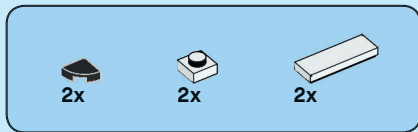
51

1

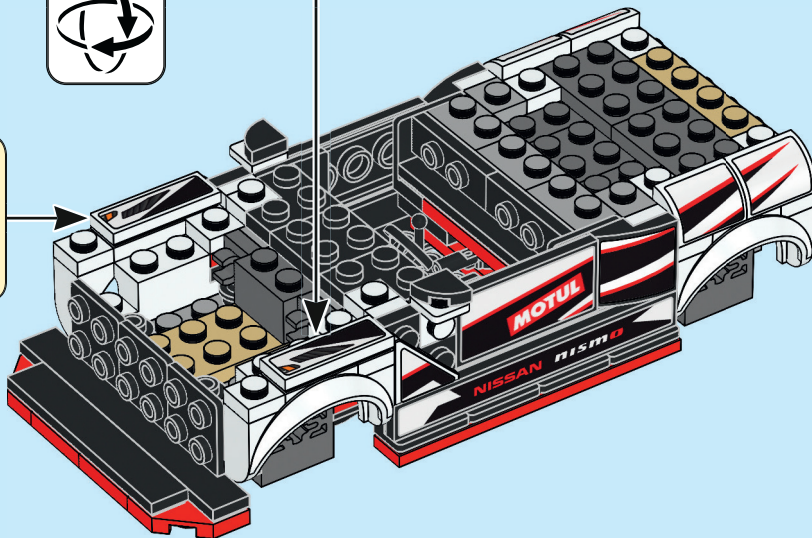
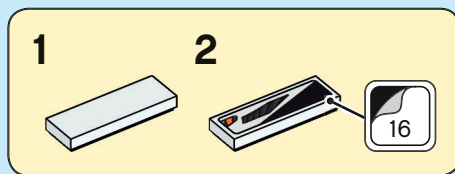
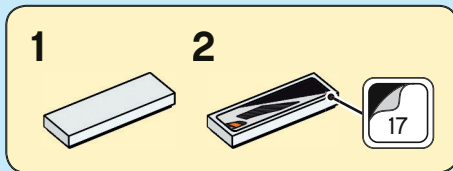


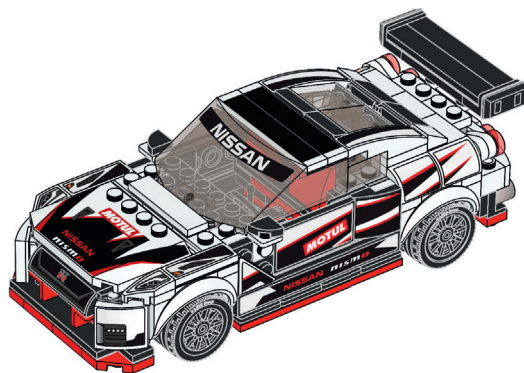
2





# 52

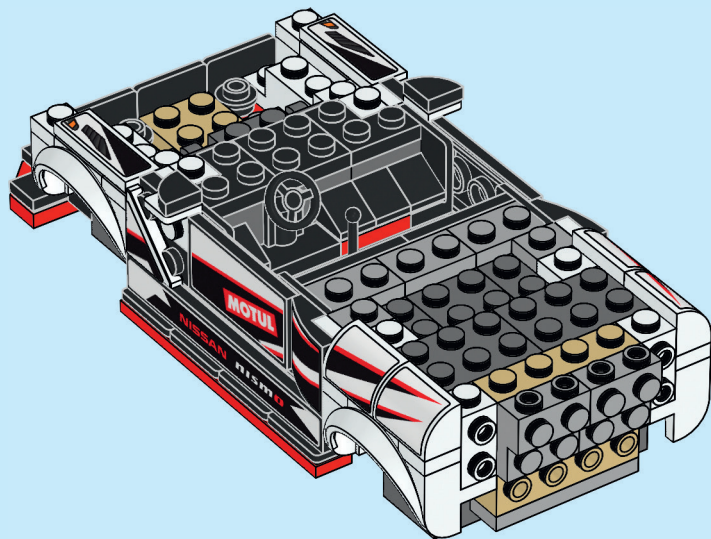


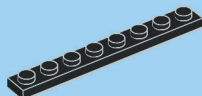
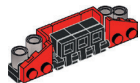




2x

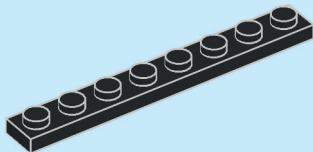
53





1x

54

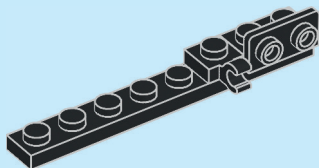


1x



1x

55

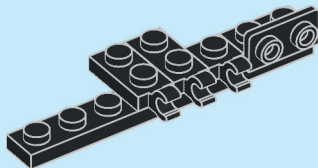


48



2x

56

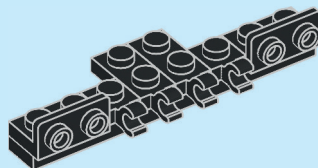


1x

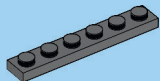


1x

57

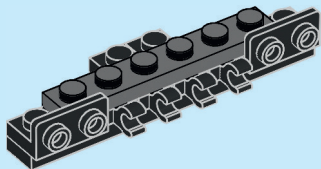






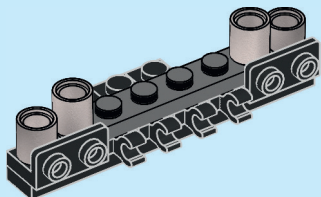
1x

58



4x

59

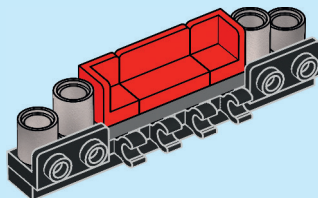


2x



1x

60



1x

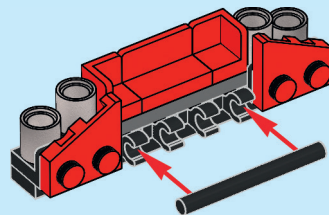


1x



1x

61



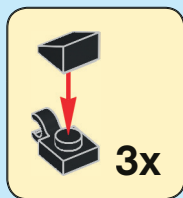


3x

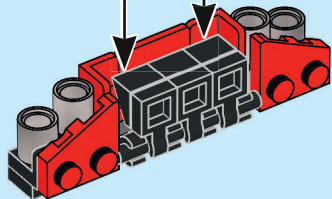


3x

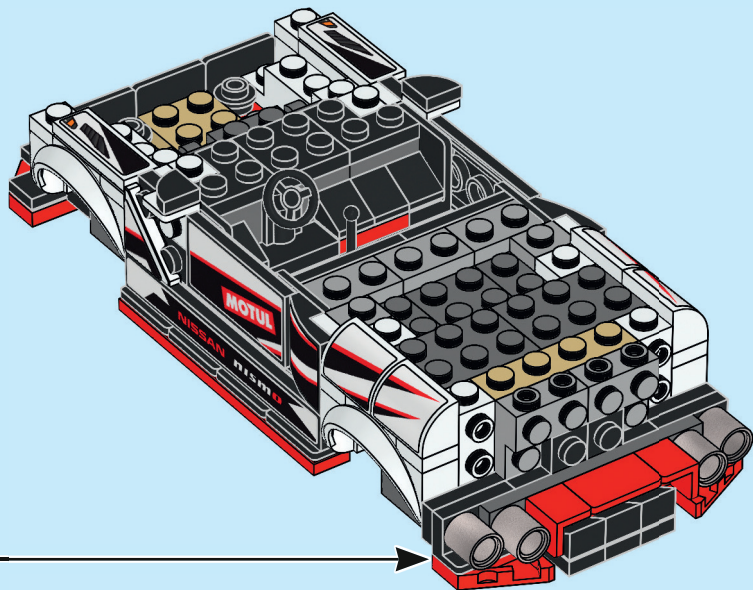
62



3x



63



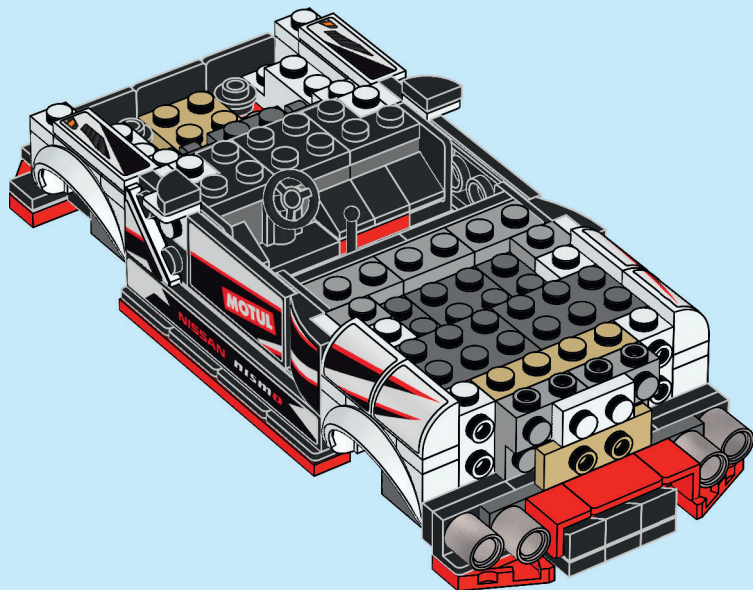


1x



1x

# 64



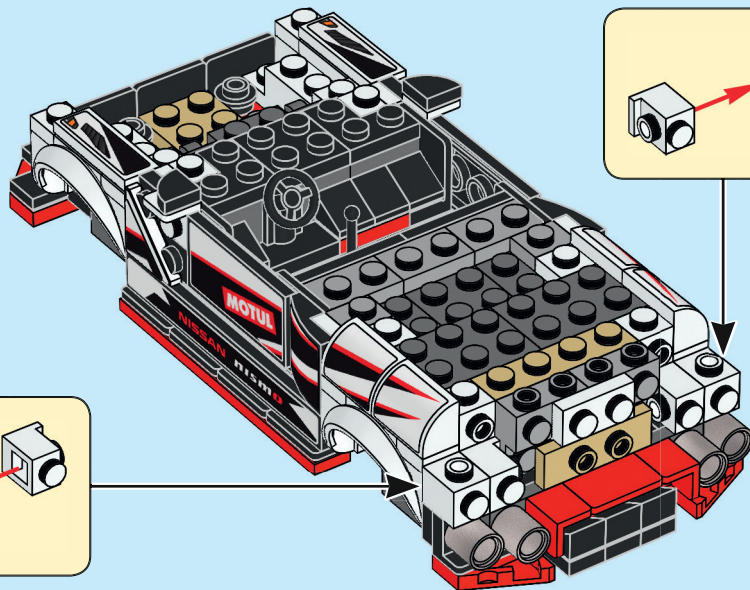


2x



2x

# 65



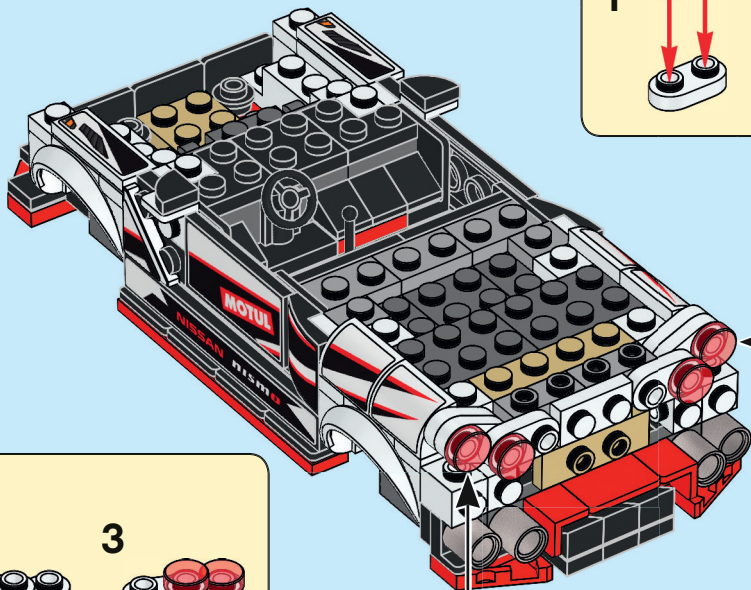


6x

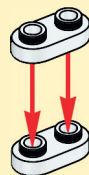


4x

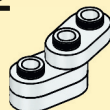
# 66



1



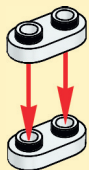
2



3



1



2



3



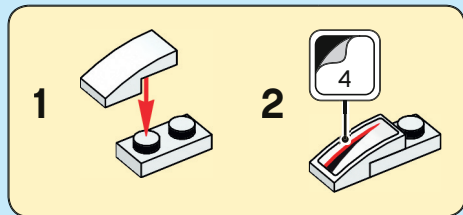
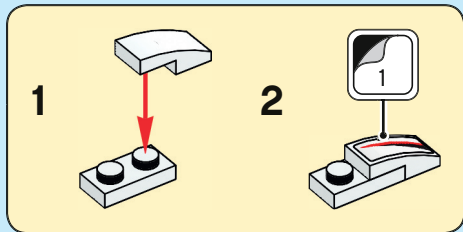
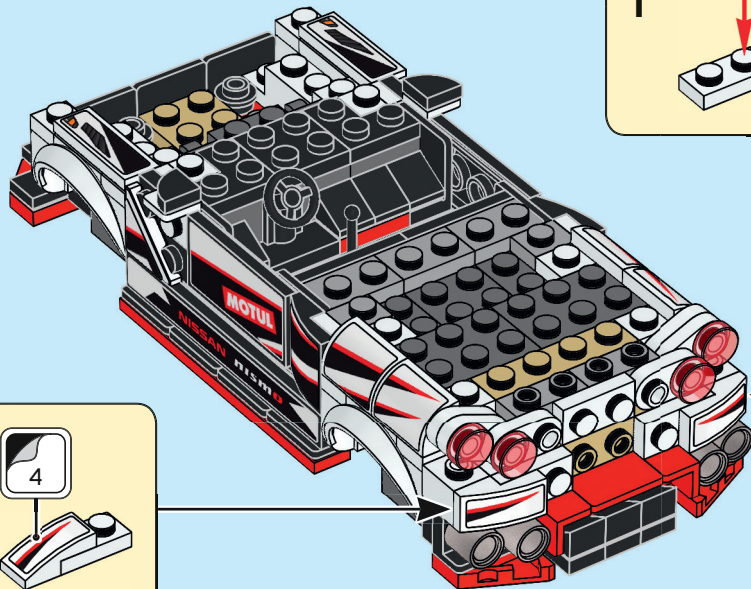


2x



2x

# 67





1x



2x

68

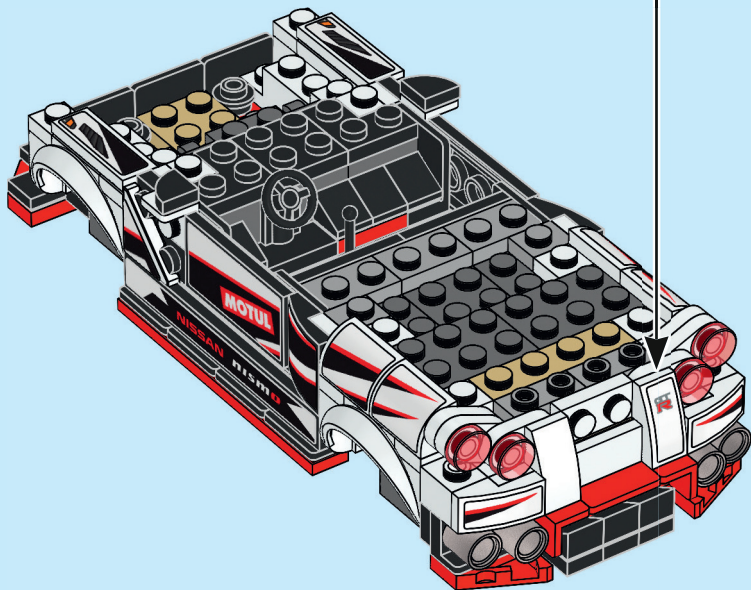
1



2



3





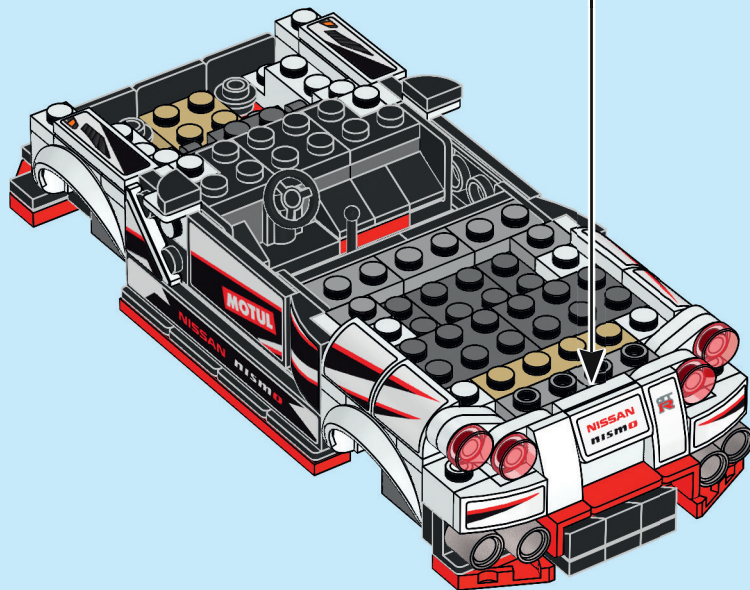
1x

69

1



2

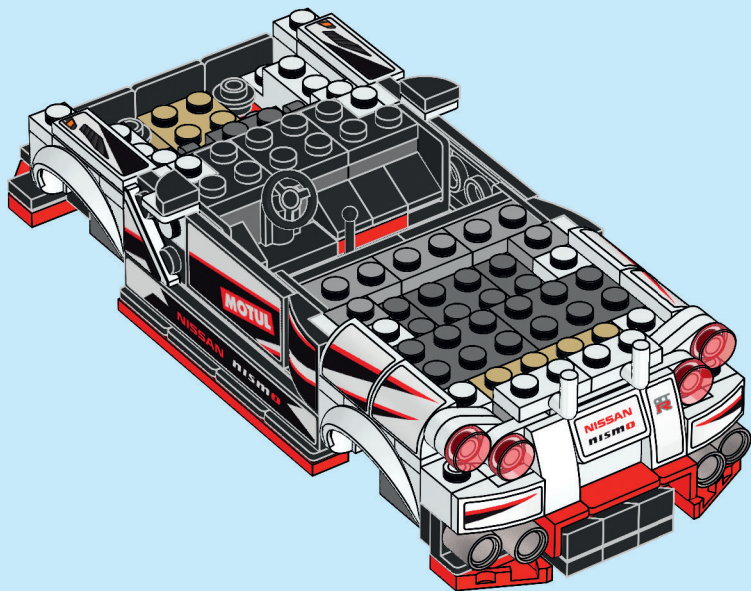






2x

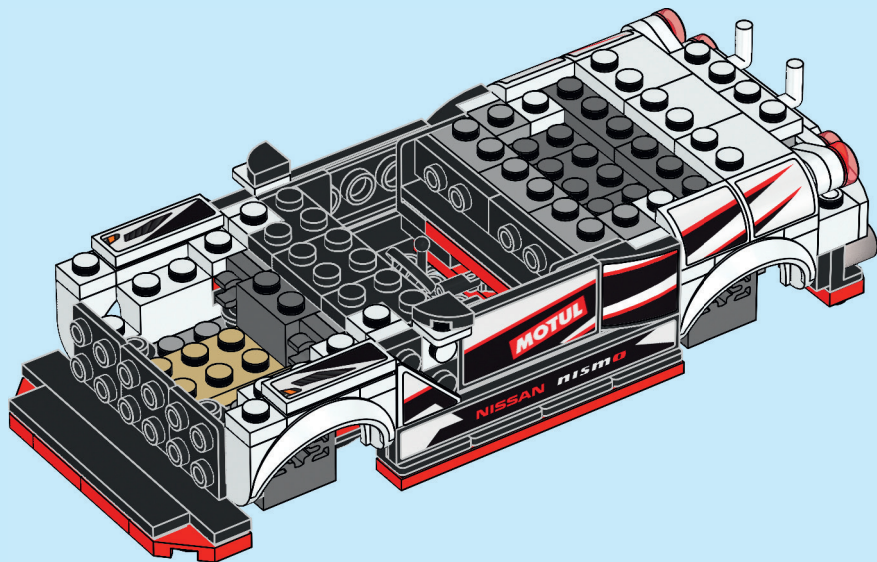
70

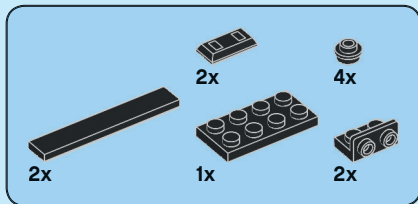




3x

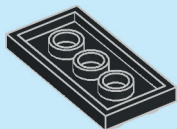
71



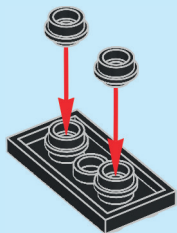


# 72

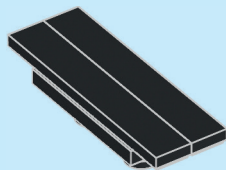
1



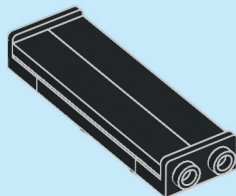
2



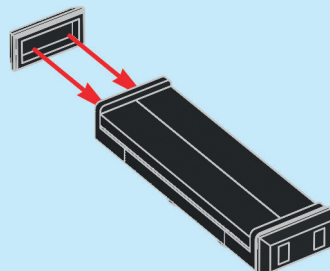
3

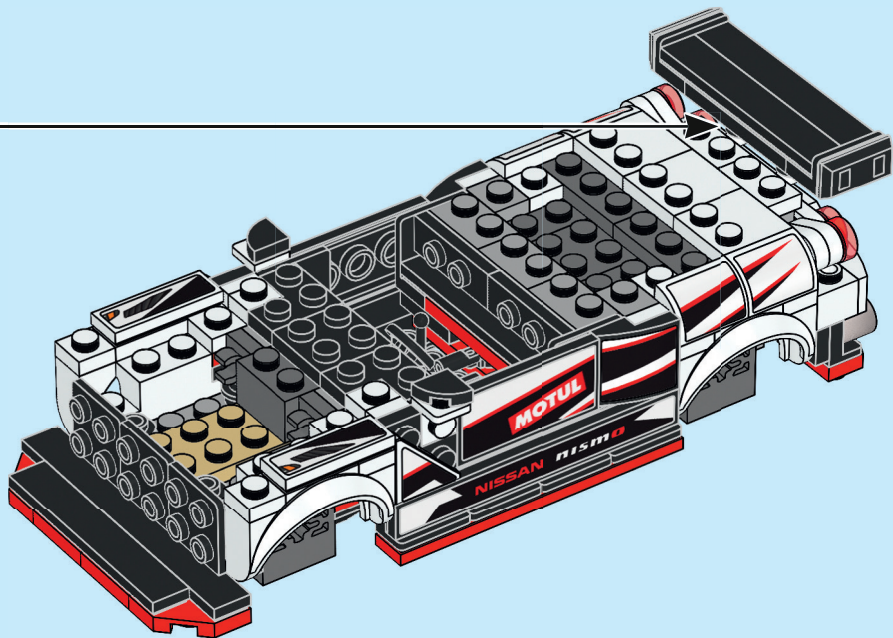


4



5







2x

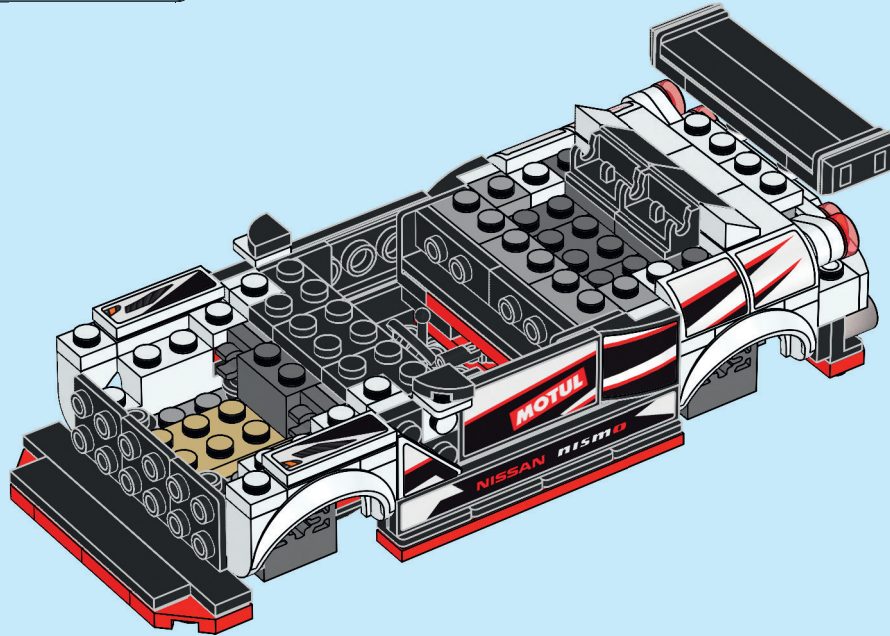


2x



2x

# 73





1x



2x



2x

# 74

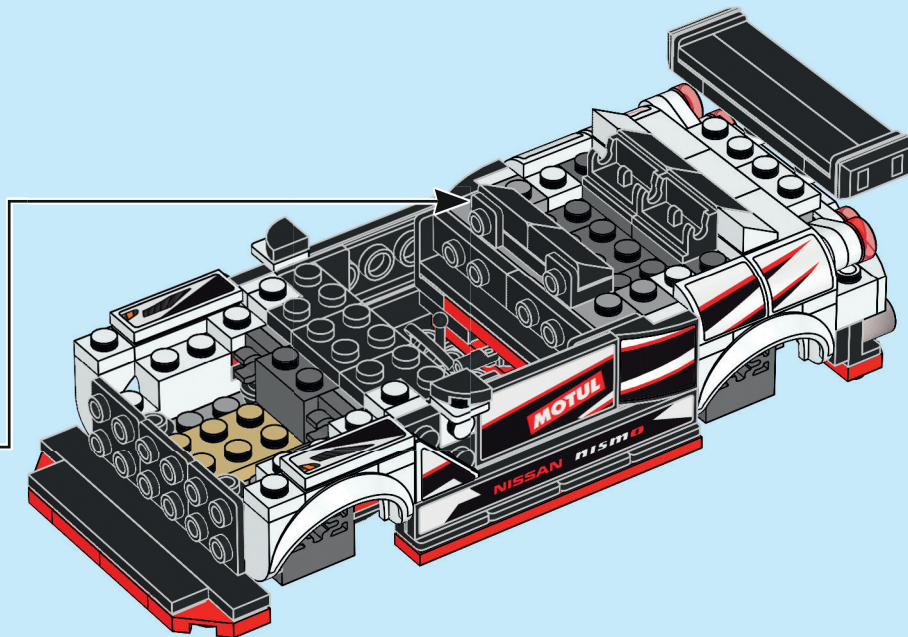
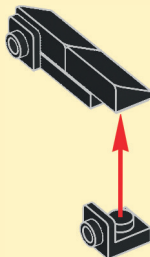
1

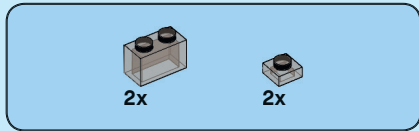


2

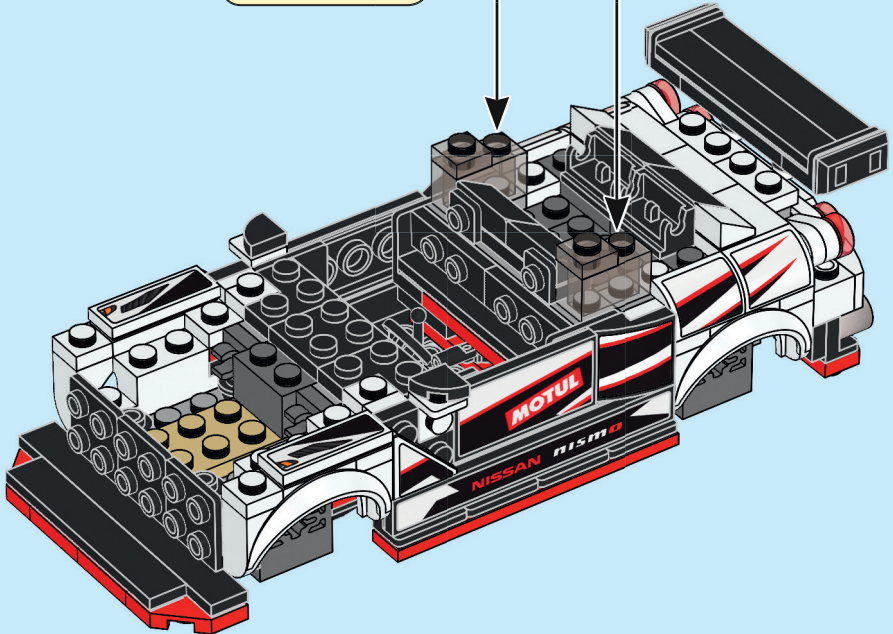
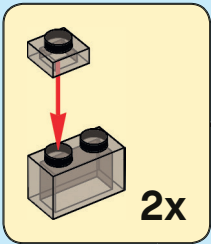


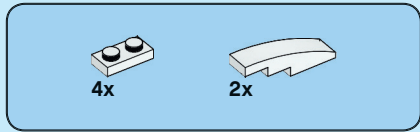
3



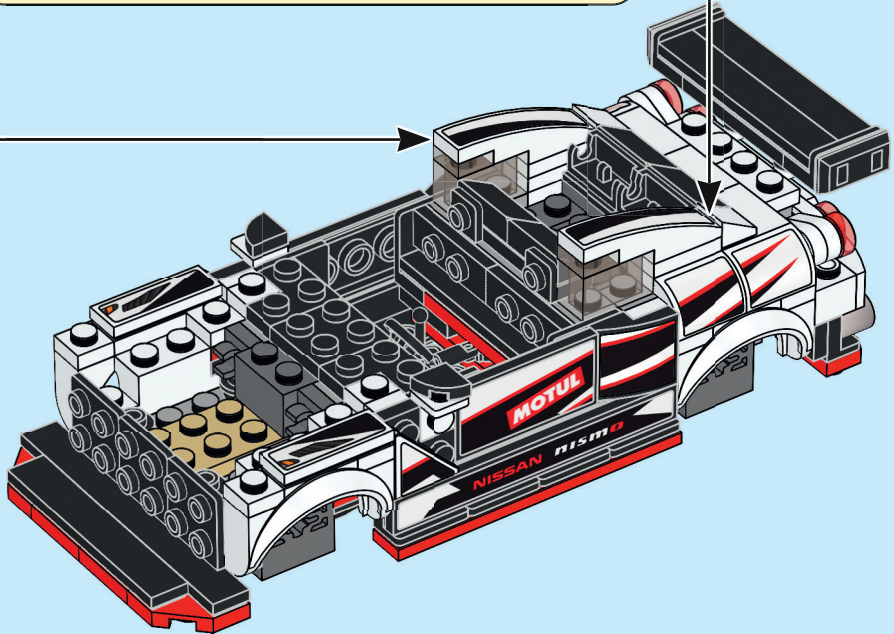
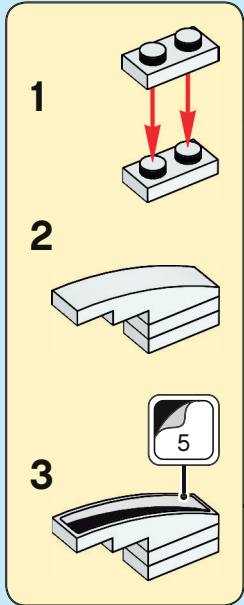
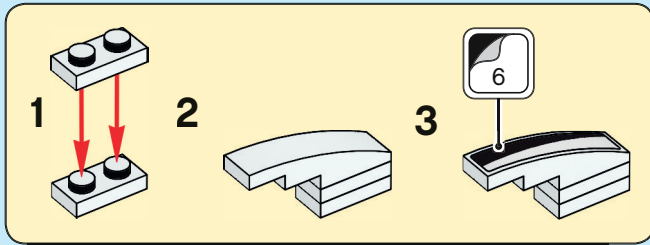


75

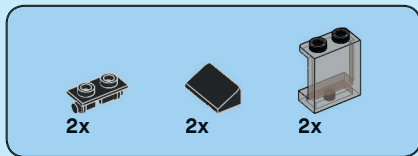




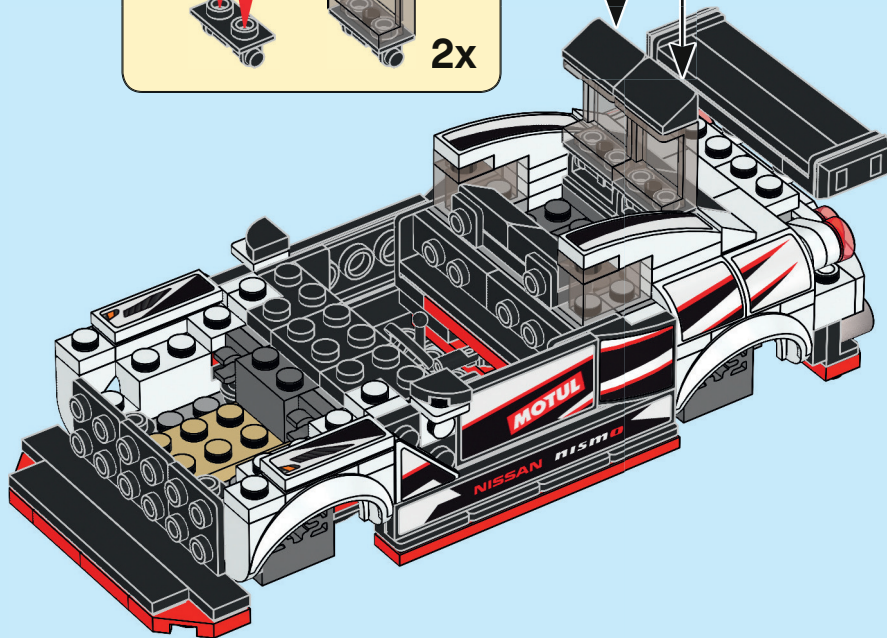
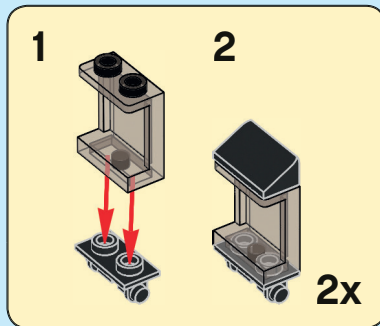
76







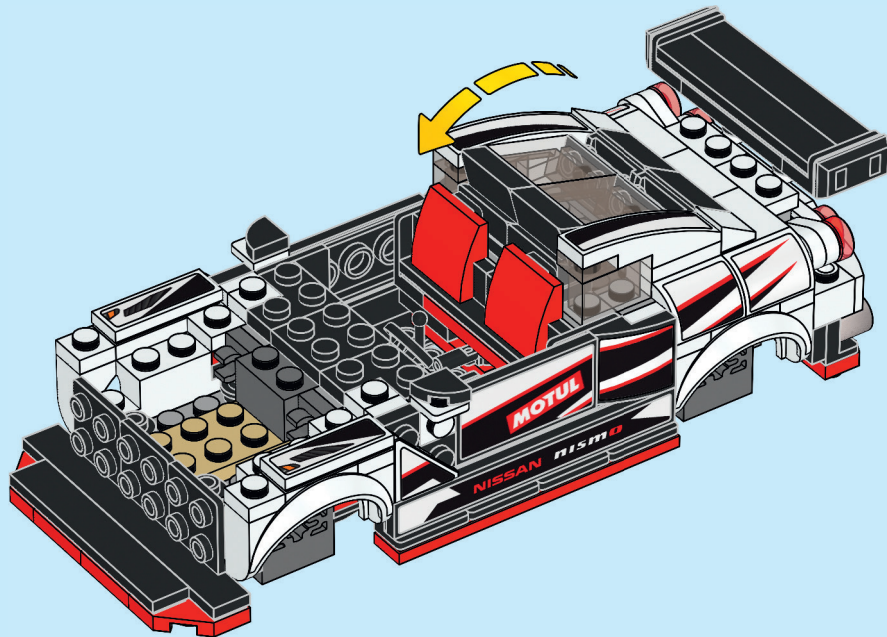
77

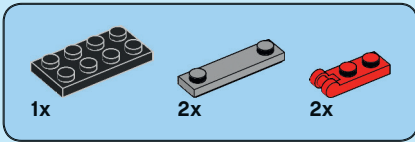




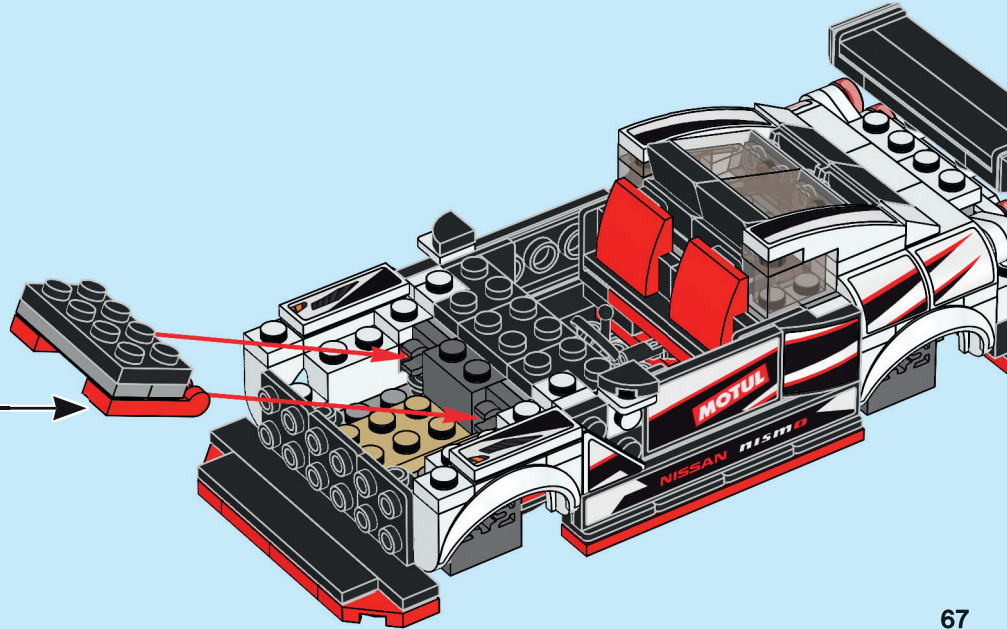
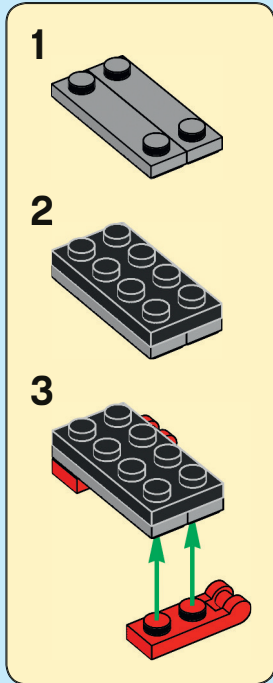
2x

78





79





1x



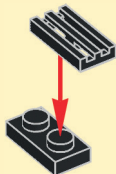
2x



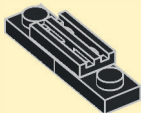
2x

# 80

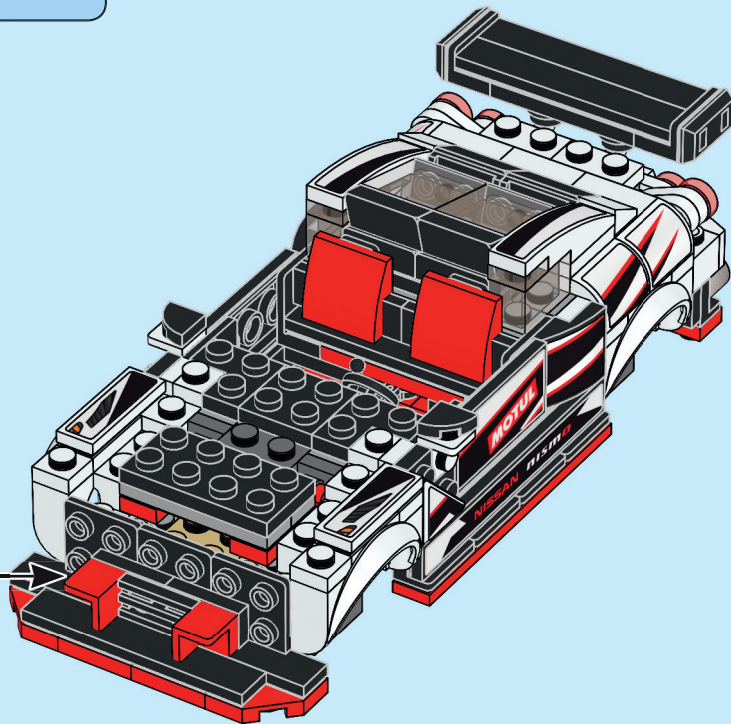
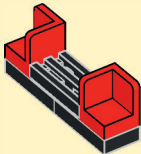
1



2

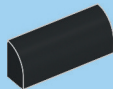


3





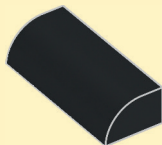
2x



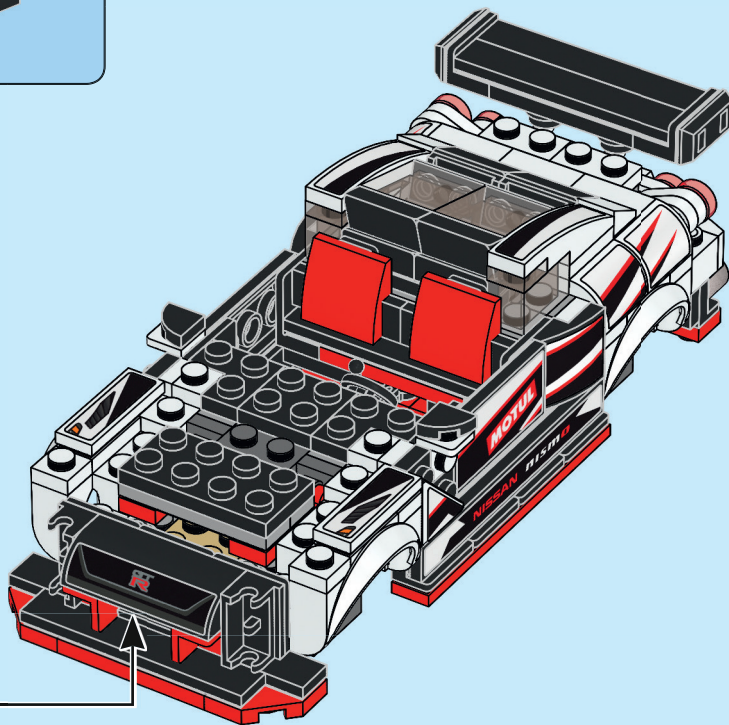
1x

# 81

1



2





1x



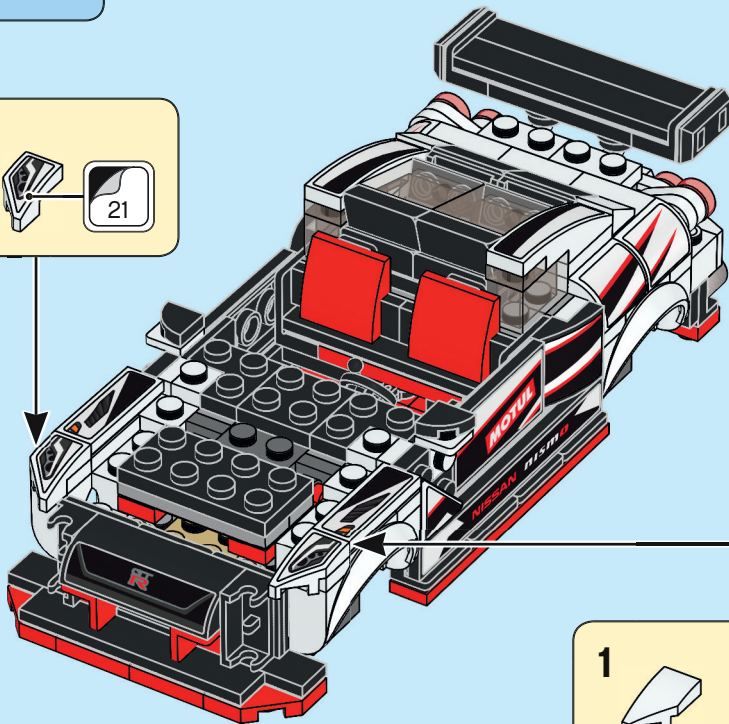
1x

# 82

1



2



1



2





2x



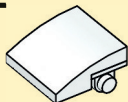
2x

# 83

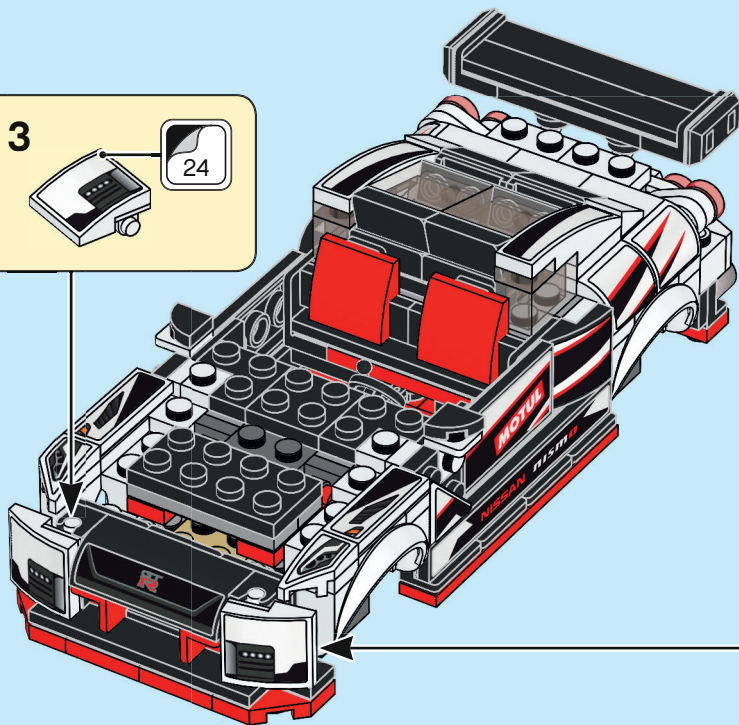
1



2



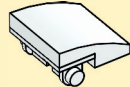
3



1

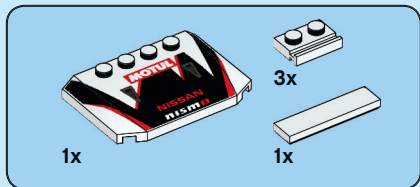


2

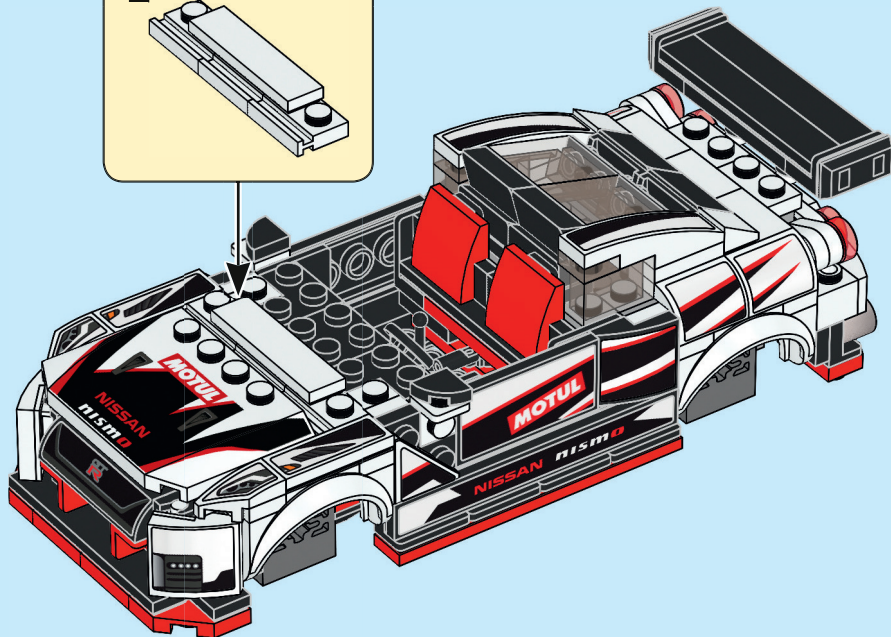
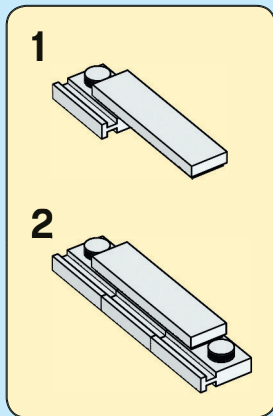


3

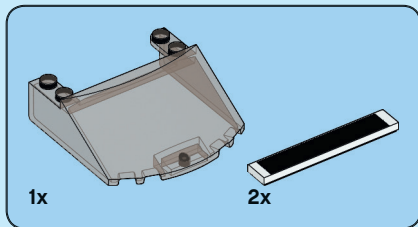




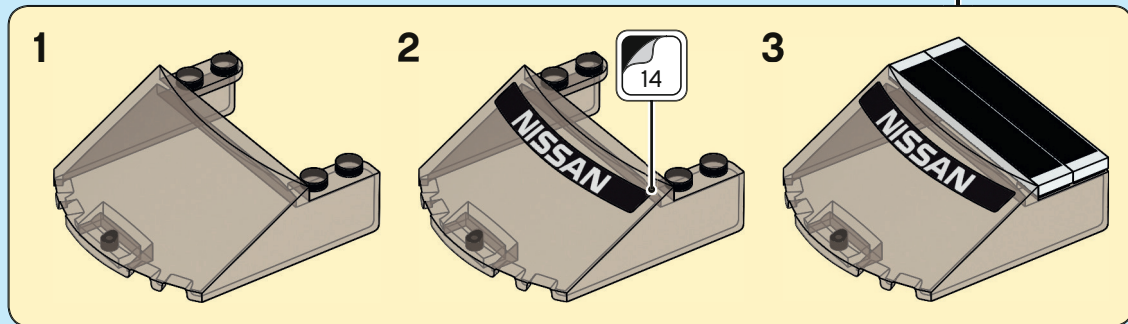
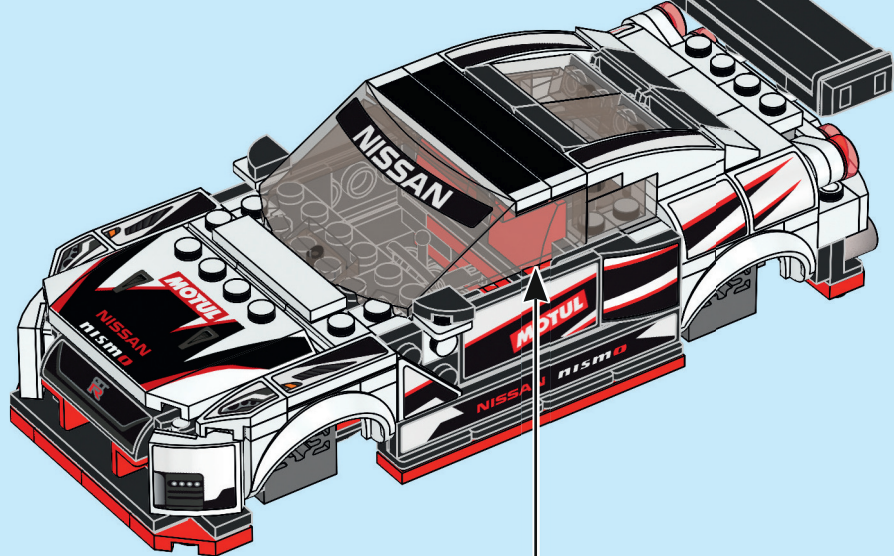
84

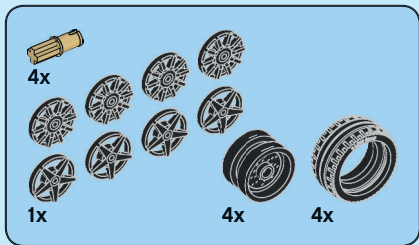






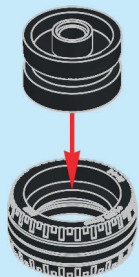
85



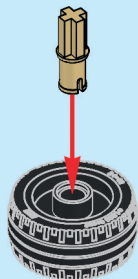


86

1



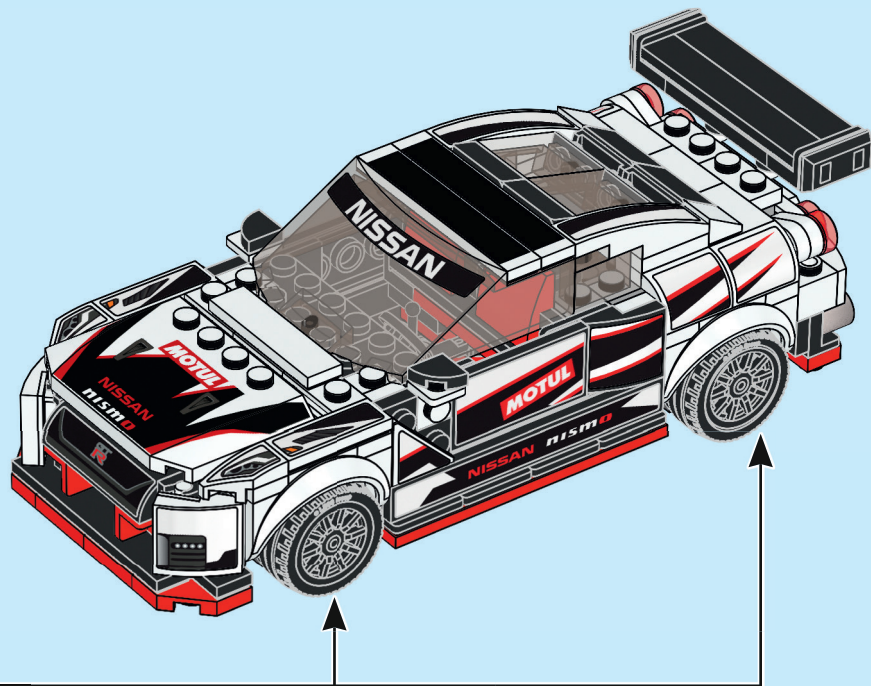
2



3



4x





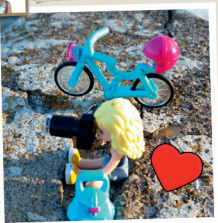
ManagerExcellentCrocodile



KingYummyCheeiah



PrincessBossyRooster



LEGO.com/apps





Produced under license of Ferrari S.p.A. The name FERRARI, the PRANCING HORSE device, all associated logos and distinctive designs are property of Ferrari S.p.A. The body designs of the Ferrari cars are protected as Ferrari S.p.A. property under design, trademark and trade dress regulations.

Nissan Motor Co., Ltd trademarks, designs, copyrights and/or other intellectual property rights are used under license.

The "Lamborghini" and "Lamborghini Bull and Shield" trademarks, copyrights, designs and models are used under license from Automobili Lamborghini S.p.A, Italy.

Manufactured under license from McLaren Automotive limited. The McLaren name and logo are registered trademarks of McLaren. Senna is the registered trademark of Ayrton Senna Empreendimentos Ltda.

Jaguar and the leaper device are trademarks owned and licensed by Jaguar Land Rover Limited.

Microsoft, Forza Horizon, and the Forza Motorsport Logo are trademarks of the Microsoft group of companies.

The MINI logo and the MINI wordmark are trademarks of BMW AG and are used under license. Austin and Morris are the trademarks of MG Motor UK Ltd, licensed by British Motor Heritage Ltd.

Under license of Porsche AG.

Officially Licensed by AUDI AG.

Drive in/Conduire dans/Condúcelo en

 **FORZA**  
**HORIZON 4**

\*Requires Xbox Forza Horizon 4 game and Forza Horizon 4 LEGO® Speed Champions expansion, both sold separately.

Parent must have valid Microsoft Account  
\*Nécessite le jeu Xbox Forza Horizon 4 et l'extension Forza Horizon 4 LEGO® Speed Champions, tous deux vendus séparément.

Les parents doivent avoir un compte Microsoft valide.  
\* Requiere el juego Forza Horizon 4 para Xbox y la expansión LEGO® Speed Champions para Forza Horizon 4, ambos de venta por separado. El adulto debe tener una cuenta Microsoft válida.



2x  
6217875



12x  
302401



2x  
4504369



4x  
407001



1x  
6213880



2x  
6218841



2x  
6224811



6x  
6242241



6x  
6210272



1x  
6213881



1x  
4547489



1x  
6294199



2x  
393801



1x  
306901



11x  
302301



2x  
6261349



4x  
6248827



4x  
6034044



3x  
4249563



3x  
6218822



2x  
6047220



2x  
4558168



1x  
6292555



1x  
243101



2x  
6045936



4x  
6293776



2x  
6294195



1x  
6292282



4x  
4666579



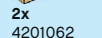
1x  
6211966



1x  
4113916



2x  
4201062



2x  
4114309



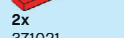
9x  
302421



4x  
4190219



2x  
371021



2x  
366621



2x  
416221



1x  
74335



1x  
4298617



1x  
6141552



1x  
6141553



1x  
6146217



2x  
6092565



2x  
6173961



2x  
6105976



2x  
4515365



9x  
302121



1x  
6244787



4x  
6258607



2x  
6252039



1x  
6283875



8x  
6168646



2x  
6172383



7x  
4504382



2x  
6234695



7x  
6000650



2x  
4535739



4x  
6290263

5x  
4517925

1x  
6196548

6x  
4548180

1x  
241226

2x  
393826

1x  
73081

5x  
302326

2x  
6156991

4x  
393726

12x  
6020193

3x  
302226

1x  
6116604

1x  
6019726

2x  
4560182

2x  
302026

1x  
366626

4x  
663626

2x  
6064228

8x  
242026

2x  
6199908

1x  
400626

4x  
6102596

4x  
6161155

2x  
6244909

2x  
6253217

1x  
6287674

2x  
6053077

1x  
346026

3x  
416226

1x  
6253240

1x  
6287679

1x  
6162275

8x  
6248078

3x  
4654582

4x  
4654577

2x  
6257593

3x  
4243797

2x  
6071226

2x  
4211088

6x  
4211105

1x  
4211056

2x  
6287680



**Customer Service**  
**Kundenservice**  
**Service Consommateurs**  
**Servicio Al Consumidor**  
**LEGO.com/service or dial**



: 00800 5346 5555

: 1-800-422-5346

# WIN

GO TO [WWW.LEGO.COM/PRODUCTFEEDBACK](http://WWW.LEGO.COM/PRODUCTFEEDBACK) AND  
GIVE US YOUR SHORT **FEEDBACK** ABOUT THIS  
LEGO® SET FOR A CHANCE TO WIN  
A COOL LEGO PRIZE.

Terms & Conditions apply



## [LEGO.com/productfeedback](http://LEGO.com/productfeedback)

### GEWINNE

Erzähle uns auf  
[www.LEGO.com/productfeedback](http://www.LEGO.com/productfeedback)

etwas über die Erfahrungen, die du mit  
diesem LEGO® Set gemacht hast, und  
sichere dir die Chance auf einen coolen  
LEGO Preis!

Es gelten die Teilnahmebedingungen

### GAGNE

Rends-toi sur  
[www.LEGO.com/productfeedback](http://www.LEGO.com/productfeedback)

et donne-nous quelques commentaires sur  
ce produit LEGO® pour avoir une chance  
de gagner un prix LEGO !

Voir Conditions Générales

### GANAN

Visita  
[www.LEGO.com/productfeedback](http://www.LEGO.com/productfeedback)

y envíanos tu opinión acerca de este set  
LEGO®. ¡Participarás en el sorteo de un  
premio LEGO!

Términos y Condiciones aplicables

### 获取奖品

登录  
[www.LEGO.com/productfeedback](http://www.LEGO.com/productfeedback)

给出关于此乐高®套装的简短反馈，  
就有机会获得炫酷乐高奖品

《条款及条件》适用

LEGO and the LEGO logo are trademarks of the/son des marques de commerce du/son marcas registradas de LEGO Group. ©2020 The LEGO Group.  
Nissan Motor Co., Ltd trademarks, designs, copyrights and/or other intellectual property rights are used under license.

6331567